

## KStrong® 5/8" Self-Tracking Steel Rope Grab with Anti-Panic Feature (ANSI)

Model: UFG601010

KStrong® Self-Tracking Steel Rope Grab with Anti-Panic Feature. Non-captive design provides ability to place on and off 5/8" approved vertical rope lifeline as needed (ANSI).

### DESIGN

- Moving Rope Grab on flexible anchorage line.
- Moves along with the user climbing up or down and looks him in the case of a fall.
- Capable of using on 0.47 in. (12 mm) diameter Kernmantle Rope.
- Capable of using on 0.55 in. (14 mm) diameter & 0.63 in. (16 mm) diameter twisted rope.
- Galvanized sheet openable rope grab with a unique antipanic feature and a connecting eye of 1.97 in. diameter.

### MINIMUM BREAKING STRENGTH:

15 kN

### MATERIAL

Made of high strength alloy steel

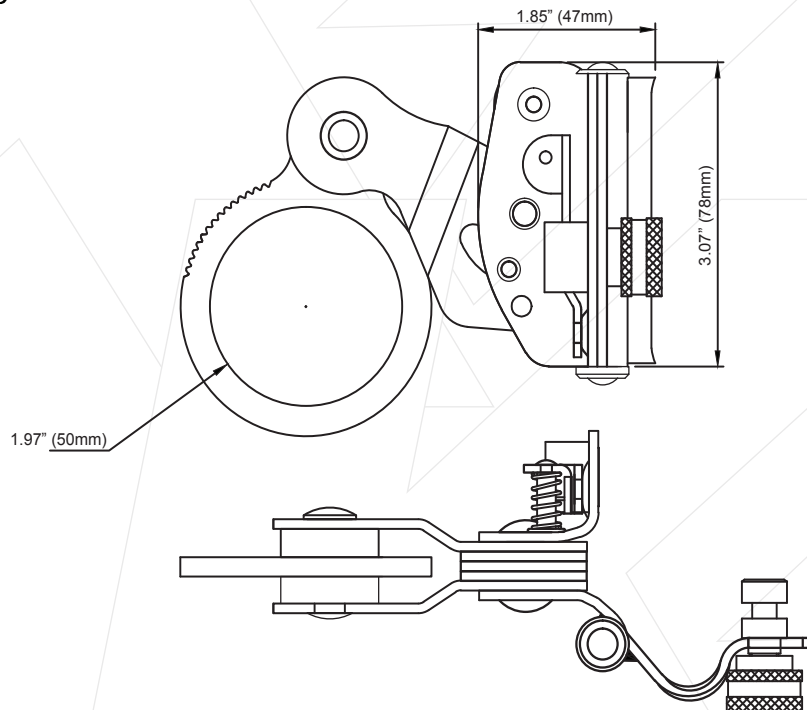
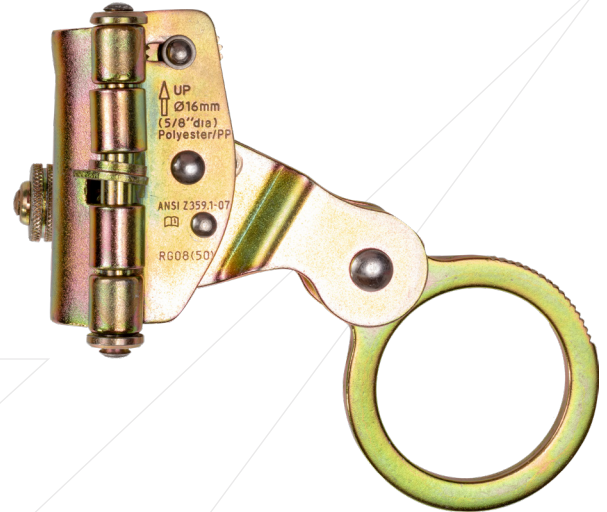
### WEIGHT

1.13 lbs. ± 0.02 lbs. (513 gm. ± 10 gm)

### RELEVANT STANDARDS

Meets or Exceeds ANSI Z359.15-2014

CE 0120



Meets or Exceeds ANSI Z359.15-2014