

## KStrong® Door Jamb/Window Anchor (ANSI)

Model: UFA30401

KStrong® Door Jamb/Window Anchor, adjustable 23.6" - 49.2"

### DESIGN

- Door/window anchor is compressed against the door or window frame "jamming" itself between the two vertical sides.
- Made up of high strength aluminum alloy.
- Light weight & portable.

### MINIMUM OPENING

23.62" (600 mm)

### MAXIMUM OPENING

49.21" (1250 mm)

### MATERIAL

High strength aluminum alloy

### FINISH

Anodized

### MINIMUM BREAKING STRENGTH

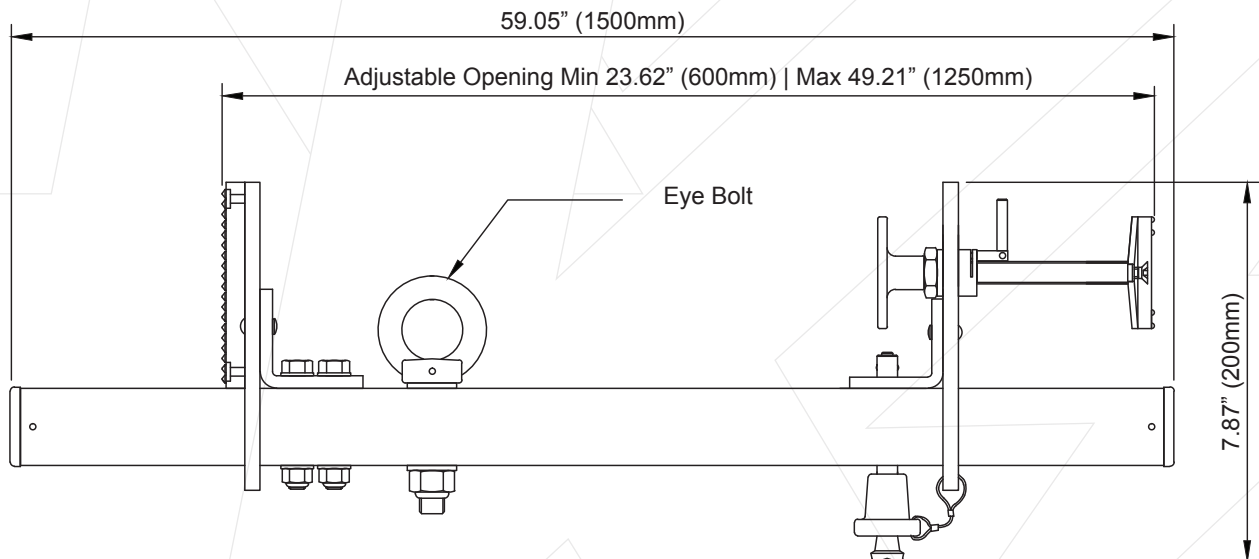
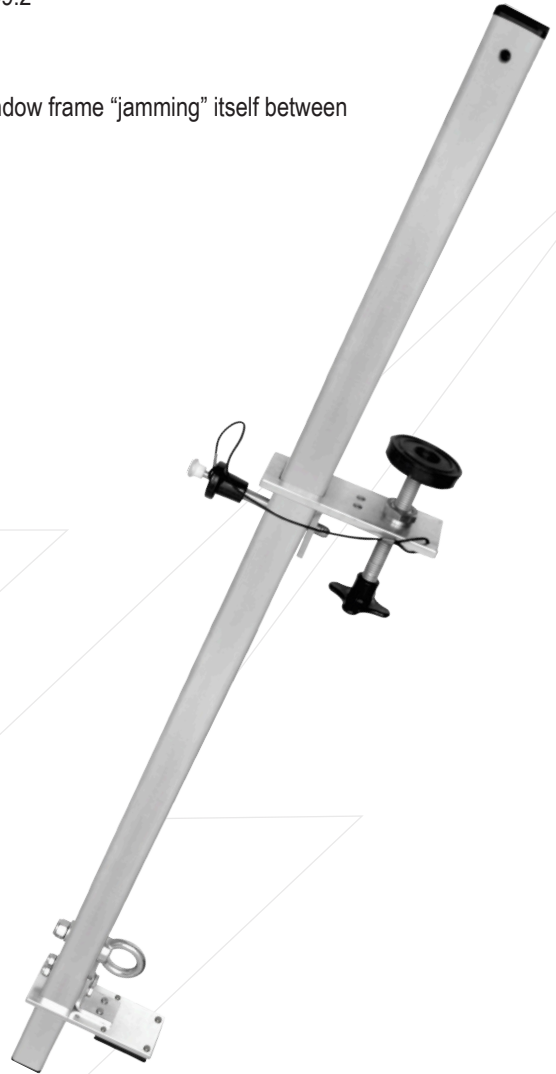
5000 lbs. (2268 kg)

### WEIGHT

12.47 lbs. ± 0.53 lbs. (5657 gm ± 240 gm)

### RELEVANT STANDARDS

Meets or Exceeds ANSI Z359.18-2017



Meets or Exceeds ANSI Z359.18-2017