

## KStrong® Hinged Reusable Steel Roof Anchor (ANSI)

Model: UFA30001

KStrong® hinged reusable galvanized steel roof anchor with D-Ring and powder coated (ANSI)

### DESIGN

- An ideal anchorage device to be fixed on wooden beams used in roofing.
- Consists of two steel flaps each having 16 holes which can be fitted on the two sides of a wooden beam by means of nails inserted in the holes.
- The D-Ring can be safely used as an anchorage point.

### CABLE

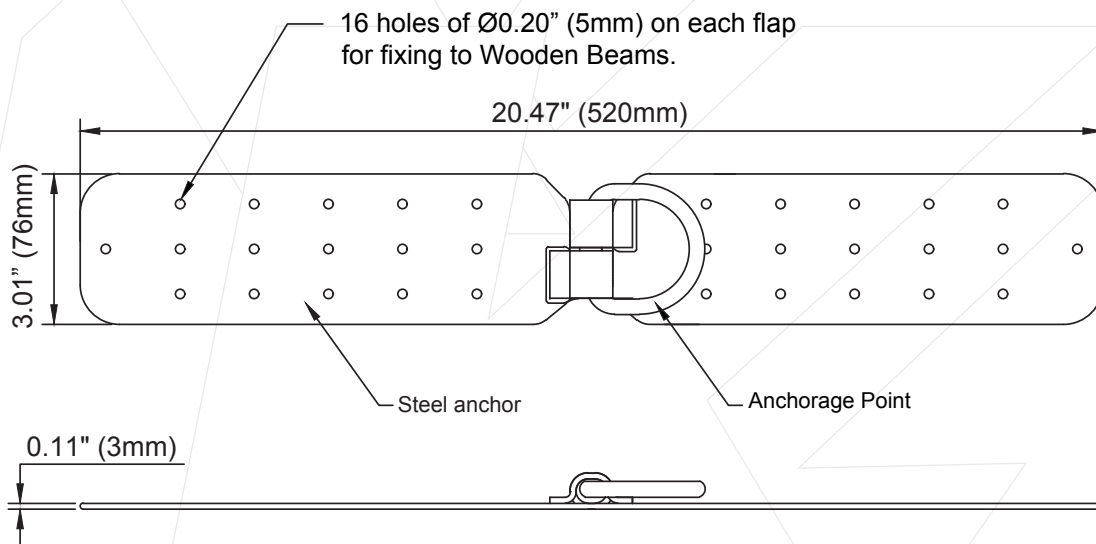
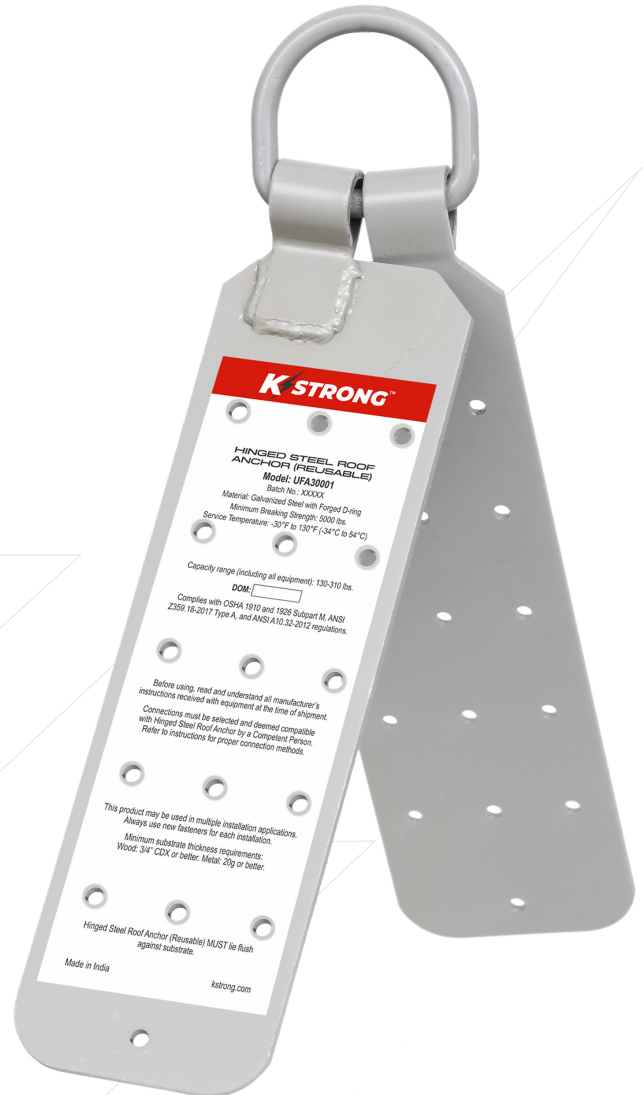
Material: High Strength Alloy Steel  
Minimum Breaking Strength: 5000 lbs.  
Finish: Power Coated or Zinc Plated

### WEIGHT

2.39 lbs. ± 0.22 lbs. (1084 gm ± 100 gm)

### RELEVANT STANDARDS

Meets or Exceeds ANSI Z359.18-2017



Meets or Exceeds ANSI Z359.18-2017