



Standing Seam Roof Anchor

Part #: SSRA1



Patent #US D629,679



Made In the U.S.A. **OSHA**[®]

Do not discard these instructions.

All persons using this device must read and fully understand all warnings, instructions and regulations prior to use.

Failure to do so can result in serious injury or death.



Table of Contents

Introduction	2
Description	3
General Safety Guidelines	4-5
Maintenance, Cleaning and Storage	5
Inspection	5-6
Product Applications	6
Fall Clearance and Swing Falls and Attachment Safety	6
Component Specifications	7
Set Screws Description	8
Installation	8-9
Reproduction of Device Labels	10
Inspection Log	10
Warranty	11
Panel Compatibility Chart	13-15

Thank you for purchasing the Standing Seam Roof Anchor
SSRA1. Do not discard these instructions.

All persons using this device must read and fully understand all warnings, instructions, and regulations prior to use as part of an OSHA approved employee training program. Failure to do so can result in serious injury or death.

Users MUST also be knowledgeable in the safe use of all equipment that is used in conjunction with the SSRA1. Users that have not read these instructions are strictly prohibited from using this equipment.

In-Service Information

Date of First Use: _____

Serial #: _____

Trained By: _____

Assigned User: _____



Description

The Standing Seam Roof Anchor **SSRA1** as discussed in this owner's manual is designed to attach to standing seam roof panels **ONLY**. When used properly, it will arrest falls and can be used as a single seam-single user device or as a component system. With the D-ring removed, various components can be attached to the anchor. Each configuration must be determined to be safe and effective by a Qualified Person prior to use. Construction consists of a solid aluminum anchor body to be attached with 12 identical set screws. Two different types of stainless steel set screws are available and are described in detail in the **Installation Section**. A set of cupped tip set screws are included with the standard setup. Nylon tipped screws can be purchased at www.StandingSeamRoofAnchor.com. No other types of set screws may be used with this device. The standard anchor assembly includes a 5,000 lbs. ANSI (**American National Safety Institute**) compliant D-ring.

This device is designed to be used for residential and commercial applications for fall arrest or restraint. No free fall is permitted for restraint applications. Personal Fall Arrest System (PFAS) guidelines require that a full body harness be worn when using this device. The PFAS must be able to arrest a worker's fall with a maximum arresting force of 1,800 lbs. and the maximum allowable free fall is 6'. This is a rigid anchor point therefore an inline shock absorber **must be used** as part of the PFAS in order to minimize the impact on the worker in case of a fall.

Applicable Safety Standards

This product meets or exceeds all applicable OSHA 1926 Subpart M, OSHA 1910, ANSI Z359.1-2007, and ANSI A10.32-2012 standards for fall protection if used properly. Additional state standards and regulations may apply depending on the work application.

Definitions

Qualified Person - 2.109-A person with a recognized degree or professional certificate and with extensive knowledge, training, and experience in the fall protection and rescue field who is capable of designing, analyzing, evaluating, and specifying fall protection and rescue systems to the extent required by this standard. This is a person highly trained in fall protection that actually designs and creates systems.

Authorized Person - 2.10-A person assigned by the employer to perform duties at a location where the person will be exposed to a fall hazard. This is someone who needs to use fall protection in the workplace.

Competent Person - 2.27-An individual designated by the employer to be responsible for the immediate supervision, implementation, and monitoring of the employers managed fall protection program who, through training and knowledge, is capable of identifying, evaluating, and addressing existing and potential fall hazards, and who has the employer's authority to take prompt, corrective action with regards to such hazards. This is someone that performs on-site monitoring of fall hazards.



Definitions, Cont'd.

Program Administrator - 2.107-A person authorized by their employer to be responsible for managing the employer's fall protection program. This is someone that ensures a proper fall protection program is being used.

General Safety Guidelines

- For use on steel standing seam panels only, **24 gauge minimum thickness.**
- The safe and effective use of the SSRA1 is the ultimate responsibility of a Qualified or Competent person. All safety protocols must be strictly followed and it must be determined that the attachment point is structurally capable of withstanding a full impact on the SSRA1 while utilizing an OSHA complaint fall protection plan.
- Do not alter or misuse this device in **ANY** way. Any altered or abused devices should be permanently removed from service and replaced.
- A Competent Person is responsible for determining a safe workplace environment with regards to jobsite hazards. Chemicals, oil/grease, structural damage, electrical shock hazards, sharp hazards, weather conditions should all be evaluated as part of a safe OSHA approved safety plan.
- A Competent Person is responsible for determining the proper anchoring application and installation location of the **SSRA1** and connected components. Fall hazards, forces applied to anchors, and swing points should be carefully assessed. The **SSRA1** should be installed under the direct supervision of a Competent Person to assure all OSHA, federal, state, and local regulations are followed.
- The **SSRA1** is designed to withstand impact loads far higher than what the human body can withstand. A Competent Person is responsible for determining how to effectively limit the impact on the user in case of a fall. An arrested fall can still result in serious injury or death, an effective rescue plan should include the use of trauma relief straps to reduce injury from suspension trauma.
- **Authorized users of this device MUST use a shock absorbing lanyard, harness, or SRD/SRL capable of limiting impact load to under 900 lbs. Due to the nature of working on metal roofs, "Leading Edge/Sharp Edge" rated steel cable lifelines should be used when within 6 feet of the roof's edge to reduce the risk of line abrasion during a fall. Ropes are not "Leading Edge/Sharp Edge" rated and may result in serious injury or death if allowed to contact panel edge during a fall.**
- A project-specific rescue plan should be in place that allows the worker to rescue himself and allow others to rescue the worker. Do not use this device unless a compliant rescue plan is in place.
- Authorized Persons using this device should be properly trained by a Competent Person how to properly install and remove this device including the use of set screws, attached components, D-rings, storing, inspection, cleaning, recognizing fall hazards and all forms of use of the **SSRA1**.



General Safety Guidelines, Cont'd.

- The **SSRA1** is capable of being used as a component system to attach numerous devices to standing seam panels. Any use of the **SSRA1** as a component system must be under the direct supervision of a Competent Person who is ultimately responsible for determining the proper method of assembly and attachment.
- **Horizontal Lifeline Attachment** - Requires an **SSRA3** Anchor Plate Assembly at each end of the rope. Any horizontal lifeline attachment must be done according to OSHA guidelines. There is a 24 gauge minimum requirement for use of the horizontal lifeline attachment system. For more details visit us on our web site at www.standingseamroofanchor.com.
- These instructions must be maintained for reference and for documenting the inspections.
- It is the responsibility of a Competent Person to ensure any attachments to the **SSRA1** are done so in a way to eliminate any risk of disengagement.
- Maximum worker weight including all tools and equipment **shall not exceed 310 lbs. per anchor. Limit of one worker per anchor point.**
- A user should be medically cleared to operate this equipment in normal and emergency situations, both physically and mentally.

Maintenance, Cleaning, and Storage

Repairs or modifications to the **SSRA1** may only be performed by Fall Protection Distributors, LLC, PH: 863-703-4522. Any **SSRA1** that has been subjected to the forces of a fall must be removed from service immediately.

The **SSRA1** is constructed of corrosion resistant materials but it must be kept free of chemicals, paint, grease, dirt and oil contamination. It is advised that the device be cleaned with soap and water and wiped dry before and after each use. Avoid storing in areas with excessive moisture, heat, light or chemicals. The tapped set screw holes must be kept clear of metal shavings and debris.

Inspection

Prior to each use, a Competent Person and the Authorized Person must inspect the **SSRA1** for corrosion, deformation of all components, cracking, cross threaded set screw holes and set screws, damaged or missing labels. Any devices found to be deficient are to be removed from service immediately and returned to Fall Protection Distributors, LLC immediately for inspection.

It is the responsibility of a Competent Person to determine that the project-specific standing seam mounting location is compatible with the **SSRA1**. The structural capabilities of the seam are to be assessed by a Competent Person to determine it is capable of withstanding a fall arrest impact to the **SSRA1**. Never use the **SSRA1** on a seam that is not compatible or is not in structurally sound condition. A list of compatible seams is located in the back of this manual. This list only indicates what seams the **SSRA1** fits, however it is the responsibility of the competent person to determine the structural integrity of the seams.



Inspection, Cont'd.

The **SSRA1** is to be inspected at least once every 6 months by a Competent Person and logged on the device inspection chart AND in this manual. Any **SSRA1** that has been subjected to the forces of a fall must be removed from service immediately.

Product Specific Applications

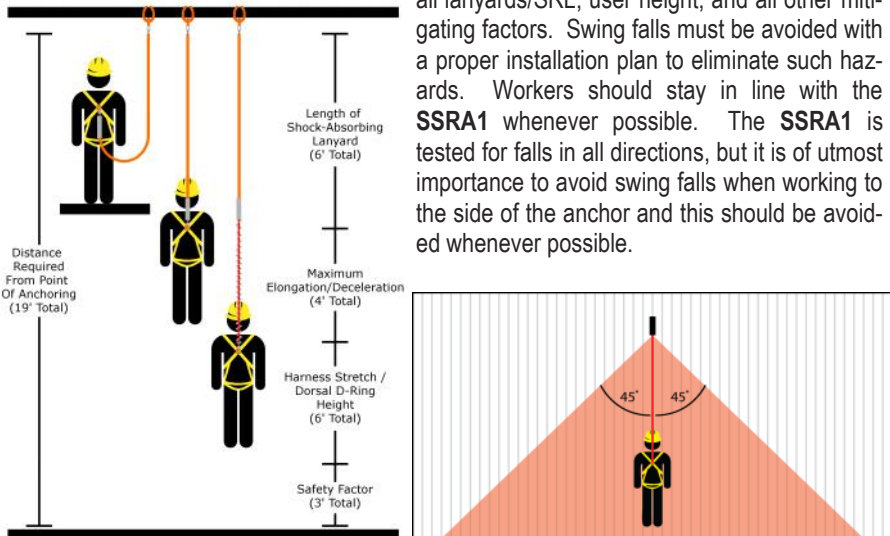
Personal Fall Arrest: SSRA1 may be used as a personal fall arrest system to support a maximum of one worker with a max loaded weight of 310 lbs. The mounting location on the standing seam must be determined to be structurally capable of withstanding a fall arrest impact on the **SSRA1**. Maximum allowable freefall is 6' when using the supplied D-ring. Maximum allowable roof pitch in fall arrest is 12/12.

Restraint: SSRA1 may be used as a worker restraint device with a 1,000 lbs. impact load on the attachment point. No freefall is allowed. Roof pitch is limited to 4/12 maximum.

Under no circumstances is the maximum worker weight including tools and equipment to exceed 310 lbs.

Fall Clearance and Swing Falls

A Competent Person is responsible for determining the proper location of the **SSRA1** to avoid swing fall injuries and to assure safe fall clearance. Fall clearance calculations must take into account all connectors, deceleration distance, deployed length of all lanyards/SRL, user height, and all other mitigating factors. Swing falls must be avoided with a proper installation plan to eliminate such hazards. Workers should stay in line with the **SSRA1** whenever possible. The **SSRA1** is tested for falls in all directions, but it is of utmost importance to avoid swing falls when working to the side of the anchor and this should be avoided whenever possible.



Operation & Instruction Manual



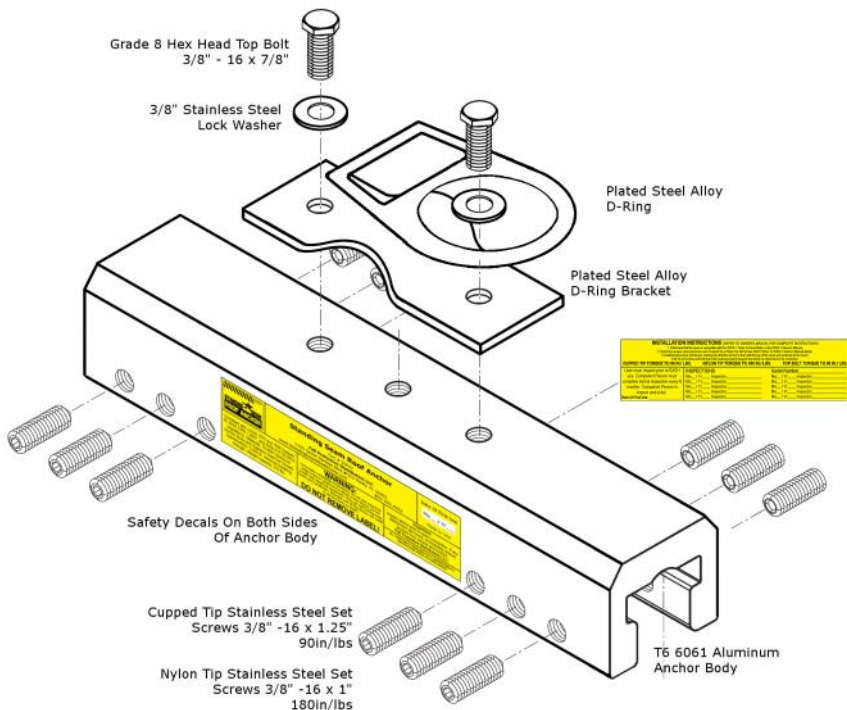
Attachment Safety

The **SSRA1** comes standard with a 5,000 lbs. compliant D-ring. Read and understand it's owner's manual prior to use. A maximum of one connector is allowed at a time onto the D-ring. A Competent Person must determine the best compatible connector to make the connection to the **SSRA1**'s D-ring. This connector must avoid any chance of a roll-out or self-opening of connectors. Compatible connectors are self-closing, self-locking, with minimum loads of 3,600 lbs. Connectors may not be snapped together in line and no other connector may be connected to the **SSRA1** or to a lanyard that is secured to the D-ring of the **SSRA1**. Only one connector is to be attached to the D-ring at any time to avoid overloading and roll-out. Do not use this device with non-compatible devices.

Components and Specifications

Materials:



- T6 6061 Aluminum Anchor Body
- Stainless Steel Set Screws
- D-ring is forged plated steel





Set Screw Description

A Competent Person is responsible to select and determine the appropriate anchor location, connectors, and set screw type to be used. On 22 gauge panels, either the cup tipped set screws or the nylon tipped set screws may be used. On 24 gauge panels, nylon tipped set screws **MUST** be used. The standing seam mounting location for the **SSRA1** must be free of defects, dirt, debris, oil, grease, structural damage, fire damage, corrosion, and sharp objects. The **SSRA1** may only be used on compatible seams in serviceable condition as determined by a Competent Person. The **SSRA1** can be used with 2 types of set screws: Cupped tip and nylon tip. Proper attachment is made with either all 12 cupped tip or all 12 nylon tipped screws torqued to the recommended torque settings. It is important to never mix the different types of set screws. If any of the set screws are damaged in any way, contact Fall Protection Distributors, LLC 863.703.4522 www.StandingSeamRoofAnchor.com to purchase replacements. No other type of set screws are permitted. Use of set screws other than those supplied by Fall Protection Distributors, LLC is prohibited and will void all warranties of the device.

<p>Cupped Tipped Set Screws Installations: Use the provided 12 stainless steel cupped tip screws.</p> <p><u>Cupped tip screws must be torqued to 90 in lbs.</u> <u>22 Gauge panels ONLY</u></p>	<p>Nylon Tipped Set Screws Installations: Use 12 nylon tip set screws. This is a consumable item that requires replacement as the nylon tips wear out.</p> <p><u>Nylon tip screws must be torqued to 180 in. lbs.</u> <u>22 or 24 Gauge ~ Required on 24 Gauge</u></p>
	

Installation

Tools Needed For Installation:

- 9/16" Socket
- 3/16" Hex/Allen Bit With Pivoting Bit Holder
- Torque Wrench capable of measuring in IN/LBS
- Screw Gun or Ratchet

Do not use Impact Gun to tighten set screws!

Certain types of seams will stretch as the set screws are torqued. Set screws must be torque-checked with a torque wrench prior to each connection to ensure the seam has not stretched and lowered the torque setting. A torque wrench that reads in in/lbs and a 3/16" hex bit are required to properly install the anchor. It is imperative that the set screws be torqued to the correct level, not under-torqued and not over-torqued. Under-torquing will reduce the attachment strength of the **SSRA1** and over-torquing can damage the seams. Failure to choose the correct set screws and torque setting could result in serious injury or death. **The SSRA1 are designed for use on standing seam panels ONLY.** The **SSRA1** must be positioned a minimum of 6' from any fall hazard or roof edge. A minimum of 144 square feet of roof area is required for attachment.



Installation, Cont'd.

Before going up on the roof, torque-check the 2 top bolts with a 9/16" socket to 90 in/lbs. Then load the 12 matching set screws (cupped tip or nylon tip) in clamp body by screwing into threaded holes with tips pointing inwards and the female hex end pointing outwards. Be careful not to cross thread set screws as this would force the anchor to be permanently taken out of service.

Refer to list of seams to determine compatibility with the **SSRA1** prior to use. This list is in the back of this owner's manual and online at www.StandingSeamRoofAnchor.com. Do not use this device on any seam not on this list. Do not use this device on batten strip seams unless the set screws are in contact with the actual seam of the panel, not the batten cover. The compatibility chart lists seams that the SSRA1 will attach to, but it is the ultimate responsibility of the competent person to determine if the roof system is structurally sound for attachment.

1. Loosen all 12 set screws wide enough to allow the anchor body to set down over the seam. (See Picture 1)
2. Position the tips of set screws on one side of the anchor so they are in a straight row about halfway across the clamp opening. (See Picture 2)
3. Use screw gun or ratchet with pivoting bit holder and 3/16" hex bit to tighten set screws on the opposite side of the anchor, making sure that the anchor stays centered and flat on the seam.
DO NOT USE IMPACT GUN!
(See Picture 3)
4. Be sure the screw gun clutch is set to avoid over tightening the set screws, final torquing should always be done with a torque wrench. All 12 set screws should be torque-checked twice prior to use, to ensure the seam has not stretched
(See Picture 4)

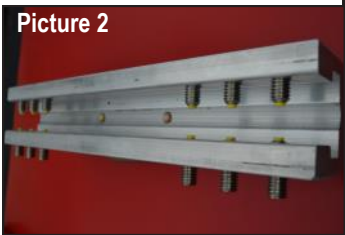
Cupped tip 90 in/lbs. Nylon tip 180 in. lbs.

The **SSRA1** is now ready to attach a compatible PFAS connector to the D-ring.
(See Picture 5).

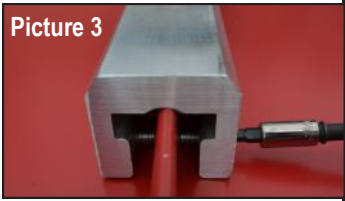
Picture 1



Picture 2



Picture 3



Picture 4



Picture 5



Operation & Instruction Manual



Reproduction of device labels

DO NOT REMOVE THESE LABELS FROM THE DEVICE

If they are removed, they must be replaced immediately by contacting Fall Protection Distributors, LLC 863.703.4522. Refer to page 6 for decal location on device.

5" w x 1.5" h

	<h3>Standing Seam Roof Anchor</h3> <p>Part # SSRA1 Patent # US D629,679 Fall Protection Distributors LLC 1324 Seven Springs Blvd #323 Trinity, FL 34655 www.StandingSeamRoofAnchor.com 863-703-4522</p>	Date Of First Use <div style="border: 1px solid black; width: 100px; height: 20px; margin: 5px;"></div> Made In USA
	<p>OSHA Compliant with OSHA 1910 and 1926 Subpart M regulations. Materials: 6061-T6 Aluminum Anchor Body and Stainless Steel Set Screws Specifications: 5,000 lb. minimum breaking strength. Weight capacity: 310 lbs.</p>	<p>WARNING! Compatible connections only, self-locking carabiners and snap hooks only. Improper use of this equipment can cause serious injury or death. No oversized carabiners or snap hooks may be attached to this device. Use only on steel standing seam panels, 24ga minimum thickness. Do not use an impact gun with set screws</p> <p>DO NOT REMOVE LABEL!</p>

5" w x 1.5" h

INSTALLATION INSTRUCTIONS (REFER TO OWNER'S MANUAL FOR COMPLETE INSTRUCTIONS)		
Patent # US D629,679		
<ol style="list-style-type: none"> Determine that the seam is compatible with the SSRA-1. Refer to Panel Compatibility Chart in The SSRA-1 Owner's Manual. Determine proper set screw to be used. Cupped Tip or Nylon Tip Set Screws ONLY! Refer To SSRA-1 Owner's Manual details. Install all set screws and torque, making sure that the anchor is flush with the top of the seam and centered on the seam. All 12 set screws and both top bolts must be properly torqued and will be re-checked prior to connection. 		
CUPPED TIP TORQUE TO 90 IN./LBS. NYLON TIP TORQUE TO 180 IN./LBS. TOP BOLT TORQUE TO 90 IN./LBS.		
User must inspect prior to EACH use. Competent Person must complete formal inspection every 6 months. Competent Person to inspect and initial. Date of First Use: _____	INSPECTIONS Mo _ / Yr _ Inspector _____ Mo _ / Yr _ Inspector _____ Mo _ / Yr _ Inspector _____ Mo _ / Yr _ Inspector _____ Mo _ / Yr _ Inspector _____	Serial Number Mo _ / Yr _ Inspector _____ Mo _ / Yr _ Inspector _____ Mo _ / Yr _ Inspector _____ Mo _ / Yr _ Inspector _____ Mo _ / Yr _ Inspector _____

Inspection Log

User must inspect prior to EACH use. Competent Person other than user must complete formal inspection at least every 6 months. Competent Person to inspect and initial.

Date of First Use: _____

Product lifetime is indefinite as long as it passes pre-use and Competent Person inspections.

This inspection log must be specific to one Standing Seam Roof Anchor.

	Jan	Feb	Mar	Apr	May	Jun	Jul	Aug	Sept	Oct	Nov	Dec
Year												
Year												
Year												
Year												

If equipment fails inspection IMMEDIATELY REMOVE FROM SERVICE.



Limited Lifetime Warranty

THIS LIMITED WARRANTY IS ACTION MANUFACTURING, LLC AND FALL PROTECTION DISTRIBUTORS, LLC SOLE AND EXCLUSIVE WARRANTY REGARDING THE PRODUCT AND IS IN LIEU OF ANY OTHER WARRANTY, WHETHER EXPRESS OR IMPLIED, INCLUDING ANY WARRANTY OF MERCHANTABILITY, FITNESS FOR A PARTICULAR PURPOSE, OR ANY OTHER WARRANTY OF QUALITY. ALL WARRANTIES OTHER THAN THIS LIMITED WARRANTY (INCLUDING ALL IMPLIED WARRANTIES LISTED IN THE PREVIOUS SENTENCE) ARE EXPRESSLY EXCLUDED AND DISCLAIMED. TO THE EXTENT LOCAL LAW PROVIDES THAT ANY IMPLIED WARRANTIES MAY BE NOT EXCLUDED OR DISCLAIMED, THOSE WARRANTIES ARE LIMITED IN DURATION TO THE SHORTER OF (i) THE DURATION OF THE EXPRESS WARRANTY PROVIDED IN THIS LIMITED WARRANTY FOR (ii) THE SHORTEST DURATION REQUIRED BY LOCAL LAW.

IN NO CASE WILL ACTION MANUFACTURING LLC OR FALL PROTECTION DISTRIBUTORS, LLC BE LIABLE TO ANY PERSON OR ENTITY FOR PROPERTY DAMAGE OR PERSONAL INJURY IN TORT (INCLUDING NEGLIGENCE AND STRICT LIABILITY), CONTRACT, WARRANTY, OR OTHERWISE FOR DIRECT, INDIRECT, SPECIAL, INCIDENTAL, PUNITIVE, CONSEQUENTIAL OR OTHER DAMAGES OR LOSSES, INCLUDING BUT NOT LIMITED TO DAMAGE FOR LOSS OF BUSINESS OR ITS CONTENTS OF ANY OTHER LOSS, REGARDLESS OF THE CAUSE OF SUCH DAMAGE AND WHETHER OR NOT CAUSED BY OR RESULTING FROM THE NEGLIGENCE OF ACTION MANUFACTURING LLC OR FALL PROTECTION DISTRIBUTORS, LLC, EVEN IF ACTION MANUFACTURING LLC AND FALL PROTECTION DISTRIBUTORS, LLC HAS BEEN ADVISED OF THE POSSIBILITY OF SUCH DAMAGES OR LOSSES. ACTION MANUFACTURING LLC and FALL PROTECTION DISTRIBUTORS, LLC'S TOTAL LIABILITY FOR ALL CLAIMS OF ANY KIND WILL NOT EXCEED THE PURCHASE PRICE PAID TO FALL PROTECTION DISTRIBUTORS, LLC FOR THE PRODUCT IN QUESTION.

No representative, dealer, reseller, employee, installer or any other person is authorized to make, modify or change this limited lifetime warranty or make any other warranty, representation or promise on behalf of Action Manufacturing LLC or Fall Protection Distributors, LLC with respect to the Product. No term or condition other than those stated in this limited lifetime warranty and no agreement or understanding, whether oral or written, in any way purporting to modify or change this limited lifetime warranty will be binding on Action Manufacturing LLC or Fall Protection Distributors, LLC, unless made in writing and signed by the President or Vice President of Action Manufacturing LLC and President or CEO of Fall Protection Distributors, LLC.

Operation & Instruction Manual



Choice of Law

This limited lifetime warranty will be interpreted exclusively under the laws of the state of Florida.

Equipment offered by Fall Protection Distributors, LLC is warranted against factory defects in workmanship and materials for the lifetime of the original owner as long as it remains in care, control, and custody of original purchaser of the device, is properly maintained, and has been inspected every 6 months as required. Inspections are required to be logged in the owner's manual AND on the device sticker. This warranty does not cover any condition or damage resulting from circumstances beyond the control of Fall Protection Distributors, LLC including the following: Acts of God, explosions, fire, snow and ice impacts or drifting, environmental contamination such as excessive salt spray or chemical exposure, panel scratching or abrading during and after installation or in the event of a fall.

Notification of claim;

Right of Fall Protection Distributors, LLC to inspect.

Fall Protection Distributors, LLC is to be notified in writing within 10 business days of any alleged condition or material defect and must be given the opportunity to inspect said condition/defect. All decisions to repair or replace any defective items are at the sole discretion of Fall Protection Distributors, LLC and are final and binding on all parties. It is the sole responsibility of the owner to ship the defective equipment to and from the service center for evaluation and determination of repair/replacement. Equipment that has been damaged from abuse, chemical exposure, abuse, transport damage, etc is not covered under this warranty. Products that have not been properly maintained and inspected will not be repaired under warranty as the warranty becomes void if the device is not properly inspected every 6 months. Fall Protection Distributors, LLC makes all final decisions regarding condition and repair/replacement of products and components.

Corporate Office

7436 Evesborough Lane
New Port Richey, FL 34655

Warehouse/Shipping

671 Willow St.
Lemoyne, PA 17043

Ph: **(863) 703-4522**

Email: **sales@fallpd.com**

Web: **www.StandingSeamRoofAnchor.com**

Limitation of Liability: In no event will Action Manufacturing LLC or Fall Protection Distributors, LLC be liable for any indirect, incidental, special, or consequential damages including, but not limited to loss of profits, in any way related to the products regardless of the legal theory asserted.

Operation & Instruction Manual



Panel Compatibility Chart ~ STEEL PANELS ONLY ~ 24 Gauge minimum thickness!

Panel Compatibility Chart is provided only as a reference for what the SSRA1 will physically mount to. This list makes no determination as to the structural integrity of any roof system or seam. It is the Competent Person's ultimate responsibility to determine that a roof system and seam is structurally capable of withstanding an impact in the event of a fall.

Manufacturer	Panel Type	Gauge	Manufacturer	Panel Type	Gauge
A&S	BattenLok HS	22/24 ga.	Bridger Steel	Tru-Snap 1", 1.5", 1.75"	22/24 ga.
A&S	SuperLok	22/24 ga.	Bridger Steel	Structural Mech. 2"	22/24 ga.
A&S	DoubleLok	22/24 ga.	Bridger Steel	Nail Strip 1" and 1.5"	24 ga.
A&S	Ultra-Dek	22/24 ga.	Bryer Company	TBC-Ultra	22/24 ga.
A&S	CFR 30", 36", 42"	22/24 ga.	Bryer Company	TBC-Superseam	22/24 ga.
A&S	DuraSeal Seami/DuraSeal Snap	22/24 ga.	Bryer Company	TBC-SuperCurve	22/24 ga.
AB Martin Roofing	ABSeam 19.5	24 ga.	Butler	MR-24	22/24 ga.
AB Martin Roofing	ABM 1" Nail Strip	24 ga.	Butler	Genesis 360	24 ga.
ACI Metal Roofing	SnapLok	24 ga.	Butler	CMR-24	22/24 ga.
ACI Metal Roofing	Stratoshield	22/24 ga.	Butler	VSR II	24 ga.
ACI Metal Roofing	UltraLok	22/24 ga.	Carlisle Syntec	CM 175SL/CM 150SL Snap Lock	22/24 ga.
AEP Span	Design Span hp	22/24 ga.	Carlisle Syntec	CM 200S/CM 150 SS	22/24 ga.
AEP Span	Span Lok	22/24 ga.	CBC Steel Buildings by Nucor	MS-24	24 ga min.
AEP Span	SpanSeam	22/24 ga.	CBC Steel Buildings by Nucor	SS-24	24 ga min.
AEP Span	Multilok	24 ga.	Ceco Buildings	Double-Lok	22/24 ga.
AEP Span	Skyline / Skyline hp	24 ga.	Ceco Buildings	BattenLok HS	22/24 ga.
AEP Span	Snap Seam	22/24 ga.	Ceco Buildings	SuperLok	24 ga.
AEP Span	Sterling Roof System	22/24 ga.	Ceco Buildings	CRP / CLP / CXP	24 ga.
AEP Span	High Seam	24 ga.	Central States Manufacturing	Central Snap	22/24 ga.
Agway Metals	AR Standing Seam, NS, SL	22/24 ga.	Central States Manufacturing	Central Span	22/24 ga.
Alcan	Snap Lock 1" and 1.5"	24/22 ga.	Central States Manufacturing	Central Seam Plus	22/24 ga.
Alcan	Mechanical Lock 1" & 1.5"	24/22 ga.	Central States Manufacturing	Central Loc	22/24 ga.
American Buildings by Nucor	Seam-Loc	22/24 ga.	Central Texas Metal Roofing Supply	ShurLoc 150, 175, 200, 300	22/24 ga.
American Buildings by Nucor	Loc/Seam/Loc Seam 360	22/24 ga.	Central Texas Metal Roofing Supply	SpanLoc 100, 150, 200, 300	22/24 ga.
American Buildings by Nucor	Standing Seam II	22/24 ga.	Centria	SRS-2 / SRS-3	18-24 ga.
American Buildings by Nucor	Standing Seam 360	22/24 ga.	Centria	SDP Series	24 ga.
American Construction Metals ACM	Kenloc, Stayloc, Mechloc	24 ga.	Chief Buildings	MSC Panel	22/24 ga.
AMS-Arch. Metal Solutions	ArmorLock/SnapLock/ProLock	22/24 ga.	Chief Buildings	MVF/MVP	24 ga.
Architectural Building Components/McElroy	138T, 238T	24 ga. min.	Chief Buildings	STC Panel	22/24 ga.
Architectural Building Components/McElroy	Permaseam Interlock	24 ga. min.	Classic Roofing Systems	CR-S 25	22/24 ga.
Architectural Building Components/McElroy	Maxima ADV	24 ga. min.	Classic Roofing Systems	CR-S 38	22/24 ga.
Architectural Metal Products	See Ultra Seam		Coated Metals Group CMG	Ultra-Seam	22/24ga.
AMSI-Architectural Metal Specialties, Inc	AMS-200 2" Mechanical Seam	22/24 ga.	Coated Metals Group CMG	Ultra-Snap	22/24 ga.
AMSI-Architectural Metal Specialties, Inc	AMS175 1-3/4" Snap-Lock	22/24 ga.	Coated Metals Group CMG	Ultra-Snap	22/24 ga.
AMSI-Architectural Metal Specialties, Inc	Peterson Tite-Loc	22/24 ga.	Coated Metals Group CMG	Ultra-Flange 1" and 1.5"	24 ga.
AMSI-Architectural Metal Specialties, Inc	Peterson Tite-Loc HS	22/24 ga.	Copper Sales	See Firestone	
AMSI-Architectural Metal Specialties, Inc	Peterson Tite-Loc Plus	22/24 ga.	Corle Building Systems	Seam-Lok	22/24 ga.
ASP-Arch. Sheetmetal Prod.	SL Series/ML Series/MLC Series	24 ga.	Corle Building Systems	Verticle-Lok	22/24 ga.
ASC Building Products	See AEP Span		Corle Building Systems	Snap-Seal	22/24 ga.
ATAS	Dutch Seam	22/24 ga.	Corus, Inc.	See KalZip	
ATAS	Field-Lok FLL 1", 1.5", 2", 2-3/8"	22/24 ga.		Custom Bit Metals	24 ga.
Bax Steel	Bax-Lock	22/24 ga.	Custom Bit Metals	CB-150	22/24 ga.
BC Steel Buildings	BCL-24-SD	22/24 ga.	Custom Bit Metals	CB-100	24 ga.
BC Steel Buildings	BCL-24-MS	22/24 ga.	Custom Bit Metals	SL-1750	24 ga.
Behlen Building Systems	Roll-Lock/Triple-Lock/Quadri-Lock	22/24 ga.	Custom Bit Metals	SL-100	24 ga.
Behlen Building Systems	ZL-24/Triple-Lock/Quadri-Lock	22/24 ga.	Custom Bit Metals	SLZ 1000/1500	24 ga.
Berno	Berno Roof	24 ga.	Dean Steel Buildings, Inc.	Pro Seam and Pro Lok	22/24 ga.
Berridge	High Seam Tee-Panel	24 ga.	Dimensional Metals, Inc.	Tee-Lock TL25	24 ga.
Berridge	Cee-Lock	22/24 ga.	Dimensional Metals, Inc.	Span-Lock SL25 and SL20	22/24 ga.
Berridge	Zee-Lock	22/24 ga.	Dimensional Metals, Inc.	Inter-Lock IL20	22/24 ga.
BHP	Zip Rib	24 ga.	Dimensional Metals, Inc.	Double-Lock DL 15	22/24 ga.

Operation & Instruction Manual



Panel Compatibility Chart ~ STEEL PANELS ONLY ~ 24 Gauge minimum thickness!

Panel Compatibility Chart is provided only as a reference for what the SSRA1 will physically mount to. This list makes no determination as to the structural integrity of any roof system or seam. It is the Competent Person's ultimate responsibility to determine that a roof system and seam is structurally capable of withstanding an impact in the event of a fall.

Manufacturer	Panel Type	Gauge	Manufacturer	Panel Type	Gauge
Dimensional Metals, Inc.	Snap-On-Seam SS10 and SS15	22/24 ga.	Knudson Mfg	KR-18	22/24 ga.
Dimensional Metals, Inc.	Nail-Strop NS10 & NS15	24 ga.	Knudson Mfg	KR-20	24 ga. steel
Drexel Metals	100SS and 150SS	22/24 ga.	Lysaght	Longline 305	22/24 ga.
Drexel Metals	200S	22/24 ga.	MBCI	BattenLok/BattenLok HS	22/24 ga.
Drexel Metals	100NS	24 ga.	MBCI	DoubleLok/LokSeam	22/24 ga.
Drexel Metals	150SL & 175S Snap Lock	22/24 ga.	MBCI	SuperLok/Ultradek	22/24 ga.
Drexel Metals	450, 450SL, 550S	24 ga.	McElroy Metal	138T/238T	22/24 ga.
Drexel Metals	DMC 210S Armooc Type	22/24 ga.	McElroy Metal	Instaloc	24 ga.
Englert	A1000, A1100	22/24 ga.	McElroy Metal	MasterLok-90/FS	22/24 ga.
Englert	A1300, A1301, A1500	22/24 ga.	McElroy Metal	Maxima	22/24 ga.
Englert	S2000, 2400, S2500	22/24 ga.	McElroy Metal	Medallion-Lok	22/24 ga.
Englert	S3000 T-Seam	24 ga.	McElroy Metal	Meridian	24 ga.
Englert	Everloc Nailstrip	24 ga.	Merchant & Evans	Zip Rib	24 ga. Min.
Englert	EverSeam	24 ga.	Merchant & Evans	Zip-Lok	22/24 ga.
Fab Tech, Inc.	Seam-Lok	22/24 ga.	Merchant & Evans	#305	22/24 ga.
Fab Tech, Inc.	Snap-Seal	22/24 ga.	Merchant & Evans	#306	24 ga.
Fabral	1-1/2" SSR & 2-1/2" SSR	24 ga. min.	Mesco Building Solutions	Double-Lok/Ultra-Dek	22/24 ga.
Fabral	Stand 'N Seam	22/24 ga.	Metal Sales	Magna-Loc, Magna-Loc 180, Curved Magna-Loc	22/24 ga.
Fabral	Powerseam	22/24 ga.	Metal Sales	Vertical Seam	22/24 ga.
Fabral	Thin Seam & Slim Seam	22/24 ga.	Metal Sales	Seam-Loc	24 ga.
Fabral	IP Seam 3	22/24 ga.	Metal Sales	Snap-Loc	24 ga.
Fabral	IP Snap 3	22/24 ga.	Metal Sales	Image II	24 ga.
Firestone	Jna-Clad JC3, UC-4, UC-6, UC-14	24 ga.	Metal Sales	T-Armor	24 ga.
Garco Building Systems	BattenLok HS	22/24 ga.	Met-Fab by Drexel	Historic	24 ga.
Garco Building Systems	SuperLok	22/24 ga.	Met-Fab by Drexel	MetFab III	22/24 ga.
Garco Building Systems	LokSeam	22/24 ga.	Met-Fab by Drexel	Snap-On 400	24 ga.
Garco Building Systems	Ultra-Dek	22/24 ga.	Steelway Building Systems	RTL-24	22/24 ga.
Garco Building Systems	Double-Lok	22/24 ga.	Met-Fab by Drexel	Snap-On 550 and Snap-On 675	22/24 ga.
Garland	R-Mer Loc	22/24 ga.	Metl-Span	CFR	22/24 ga.
Garland	R-Mer Span	20/22/24 ga.	Morin by Kingspan	SLR	20/22/24 ga.
Hoogovens Aluminum Building Systems	See Kal Zip		Morin by Kingspan	SRR	22/24 ga.
Imetco	Series 300 1" Batten	22/24 ga.	Morin by Kingspan	SWL	22/24 ga.
Imetco	SnapLok 1-3/4"	22/24 ga.	Mid-West by NCI	BattenLok/Double-Lok	22/24 ga.
Imetco	PermLok	22/24 ga.	Mid-West by NCI	SuperLok/Ultra-Dek	22/24 ga.
Imetco	TwinLok	22/24ga.	New Tech Machinery	TRQ250	22/24 ga.
Inland Buildings	TS-324	24 ga.	New Tech Machinery	SSQ275	22/24 ga.
Inland Buildings	VS-216	24 ga.	New Tech Machinery	SS100/SS150/SS200/SS210A/SS450(g)	22/24 ga.
Inland Buildings	SS20	24 ga.	New Tech Machinery	SS450/SS450SL/SS550/SS675	22/24 ga.
Inland Buildings	IN-LOC	24 ga.	New Tech Machinery	FF 100, 150	24 ga.
Interlock Roofing	Nailstrip	24 ga.	North Star Metals	Loc Star	24 ga.
KalZip	50 Series	22/24 ga.	North Star Metals	Snap Star	24 ga.
KalZip	65 Series	22/24 ga.	North Star Metals	NS-18	24 ga.
Kingspan	KingZip 1020	20/22/24 ga.	Nu-Ray Metals	NRM 1000/NRM 1750/NRM 2000	22/24 ga.
Kirby Building Systems	KLM 2100, KLS 2100	22/24 ga.	Nucor Building Systems	CFR/SR2/NR16 II	24 ga.
Kirby Building Systems	Roof-Lok/Roof-Lok Plus	22/24 ga.	OC Metals	SMI 1.5	22/24 ga.
Knudson Mfg	KR-24	22/24 ga.	OC Metals	SMI Mechanical 450	22/24 ga.

Operation & Instruction Manual



Panel Compatibility Chart ~ STEEL PANELS ONLY ~ 24 Gauge minimum thickness!

Panel Compatibility Chart is provided only as a reference for what the SSRA1 will physically mount to. This list makes no determination as to the structural integrity of any roof system or seam. It is the Competent Person's ultimate responsibility to determine that a roof system and seam is structurally capable of withstanding an impact in the event of a fall.

Manufacturer	Panel Type	Gauge	Manufacturer	Panel Type	Gauge
OC Metals	SMI 1.75 SnapLock	22/24 ga.	Triad Corrugated Metal	Mechanical	24 ga.
Pac-Clad by Petersen Aluminum	Snap-Clad	22/24 ga.	Triad Corrugated Metal	MS 216 / MS 218	22/24 ga.
Pac-Clad by Petersen Aluminum	Title-Loc/Title-Loc HS/Title-Loc Plus	22/24 ga.	Triad Corrugated Metal	TS324	22/24 ga.
Pac-Clad by Petersen Aluminum	Snap-On Standing Seam	24 ga.	U.S. Metals	US-150	22/24 ga.
Pac-Clad by Petersen Aluminum	Hi Snap On	24 ga.	U.S. Metals	US-175LS	22/24 ga.
Pac-Clad by Petersen Aluminum	Redi-Roof/Edge-Loc	22/24 ga.	Ultra Seam, Inc.	Ultra Seam US-200	22/24 ga.
Premier Metals	Standing Seam 1.5	24 ga.	Ultra Seam, Inc.	Ultra Seam US-175LS Snaplok	24 ga. min.
Rigid Global Buildings	Hi-Tech	24 ga.	Ultra Seam, Inc.	Ultra Seam US-150C, 150CL, 150LS	24 ga. min.
Rigid Global Buildings	Platinum	24 ga.	Ultra Seam, Inc.	Ultra Seam US-100NS Nail Strip	24 ga. min.
Robertson Building Systems	BattenLok, Curved BattenLok, DoubleLok, LokSeam, SuperLok, UltraKeck	24 ga.	Ultra Seam, Inc.	Ultra Seam US-200S 2" Mechanical Lock 90 degree	22/24 ga.
Robertson Building Systems	Starshield-SSR	24 ga.	Una-Clad	Una-Clad UC-3, UC-4, UC-6, UC-14	24 ga.
Schlebach	1 Inch Nail Strip Panel	24 ga.	Union Corrugating Company	Advantage Lok, Advantage-Lok II	24 ga.
Schlebach	1.5 Nail Strip	24 ga.	Union Corrugating Company	SL150, SL 175	24 ga.
Schulte Building Systems	TS-324	24 ga.	Union Corrugating Company	ML150 / ML200	22/24 ga.
Schulte Building Systems	VS-216	24 ga.	United Structures of America	Guardian 1 / II / Lok	22/24 ga.
Star Building Systems	Starshield	22/24 ga.	United Structures of America	Sure-Lok / Supreme-Lok	22/24 ga.
Steel Span, Inc.	See Nucor		Varco Pruden	SSR	22/24 ga.
Steel Tile	Snap Seam 1.5"	24 ga.	Varco Pruden	HWR	22/24 ga.
Steel Tile	Nail Strip 1.5"	24 ga.	Varco Pruden	SLR	22/24 ga.
Steel Tile	Mechanical Lock 1.5"	24 ga.	Vic West	Prestige	22/24 ga.
Taylor Metals	Easy Lock	24 ga.	Vic West	Tradition-100	22/24 ga.
Taylor Metals	Versa-Span	22/24 ga.	Vic West	TSR	22/24 ga.
Taylor Metals	MS 150 / MS 200	22/24 ga.	Vic West	Tradition 150-4	24 ga.
Taylor Metals	Clip Lock	22/24 ga.	Whirlwind Building Systems	Weather Lok-16	22/24 ga.
Tremco	TremLock VP	22/24 ga.	Whirlwind Building Systems	Weather Snap-16	24 ga.
Tremco	T-238	22/24 ga.	Whirlwind Building Systems	Super Seam II/Super Seam Plus	22/24 ga.
Tremco	TremLock SL and LSP	22/24 ga.	Zamil Steel Industries	Max Seam	22/24 ga.
Triad Corrugated Metal	Snap Loc	24 ga.	Zimmerman Metals, Inc.	SL-1500, SL1750, SLC1000	22/24 ga.
Triad Corrugated Metal	Nailstrip	24 ga.	Zimmerman Metals, Inc.	SS1500, SS2000, SS2500, TSS2500	22/24 ga.



Standing Seam Roof Anchor

Part #: SSRA1



Patent #US D629,679



Made In the U.S.A. **OSHA**[®]

Do not discard these instructions.

All persons using this device must read and fully understand all warnings, instructions and regulations prior to use.

Failure to do so can result in serious injury or death.