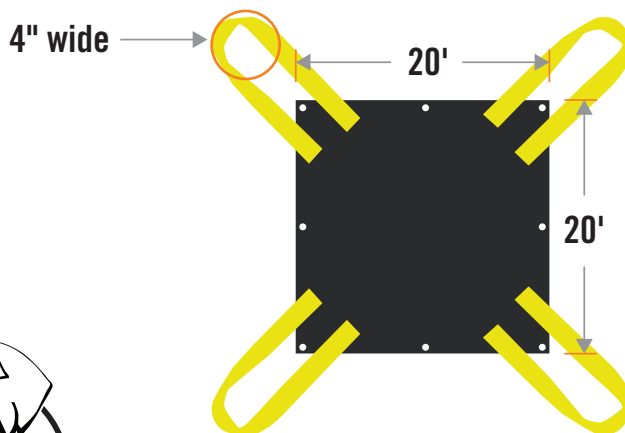


CUT & SPEC SHEET



Strong Man Snow Tarp

Construction site snow removal has never been easier thanks to the Strong Man Snow Tarp. Strong Man quality combined with a practical way to remove freshly fallen snow makes this a must have for every jobsite. Simply lay your tarp out before the snow falls, yellow webbing always facing down, attach the corners to a crane or lift after the snowfall and lift the snow off of your jobsite and watch your productivity and efficiency improve. A practical solution for a common problem. And most importantly, it's safe. How safe? Strong Man safe! Put your shovels away and save hundreds of man hours with the Strong Man Snow Tarp!



20' x 20' tarp

FEATURES

- ▶ 18 oz heavy-duty PVC-coated polyester
- ▶ Stock color: Black
- ▶ Stock size: 20'x20'
- ▶ Tarp Weight: 65 lbs
- ▶ Webbing Color: Yellow
- ▶ Manufactured with 4" heavy-duty lifting slings sewn in each corner for ease of movement
- ▶ Stainless Steel, rust-proof grommets installed 24" on center around the perimeter of the tarp
- ▶ Webbing-reinforced perimeter
- ▶ Heat-sealed seam construction
Constructed with heavy-duty, UV-resistant thread with

FEATURES

- ▶ "lockstitch sewing" around the perimeter
- ▶ Made in the USA

USES

- ▶ Jobsite snow removal
- ▶ Superior fabrication and Strong Man Quality
- ▶ Easy to use & efficient
- ▶ Helps to keep your jobsite on schedule & on budget by saving you labor & lost man hours

* Specifications subject to change.



GO STRONG ALL YEAR LONG

www.strongman.com

(800) 950-6999  

MEMBER | ACDI, SAIA, STAFDA, IFAI

STRONG MAN® SAFETY PRODUCTS CORP.

240 W Parkway Pompton Plains, NJ 07444
1610 Greens Road, Ste 400 Houston, TX 77032

© 2015 Strong Man Safety Products Corp.

* November 2015

CUT & SPEC SHEET

TEST RESULTS

BREAKING STRENGTH AND ELONGATION OF TEXTILE FABRICS (LIFT TEST)			
Tarp Lifting Capacity Maximum	4,000 lbs Initial Lift of 2,000 lbs with additional lifts in 500 lb increments to an end point of 4,000 lbs.		
Lift Cycle test	200 lifts at 4,000 lbs		
Tensile Strength of Webbing ASTM D5034-09	Specimen	Tensile Strength	Average
		lbf	
	1	563	523.4
	2	490	
	3	500	
	4	517	
	5	547	

SPECIFICATIONS

Weight (FS-191-5041)	18. oz / yard ²	High Temperature Resistance (FS-191-5872)	180° F (Does Not Block)
Fabric Type	Polyester (Woven)	Cold Crack (FS-191-5874)	-40° F
Thread Count (Warp x Fill)	18 x 17 (1000D x 1300D)	U.V. Resistance (Weather-O-Meter)	Not Excessive Fading After 300 Hours
Tensile Strength, Grab Method (lbs.) (FS-191-5100)	Warp 410 x Fill 410	Elongation at Break (FS-191-5102)	Warp: Approximately 17% Fill: Approximately 23%
Tensile Strength, Strip Method (lbs.) (FS-191-5102)	Warp 300 x Fill 300	Treatments	Anti Mildew and Anti Fungal Additives
Tear Strength, Tongue Method (lbs.) (FS-191-5134)	Warp 100 x Fill 100	<i>*For use with freshly fallen snow only. Never use a damaged, torn or ripped tarp. Not designed to move equipment, tools, construction paraphernalia, supplies or other jobsite items. Webbing must always face down when being used. Never stand under tarp that is in use and never maneuver/move tarp over jobsite personnel or buildings that may contain jobsite personnel.</i>	
Adhesion (lbs. / inch) (FS-191-5970)	Warp 12 X Fill 10		
Abrasion Resistance (FS-191-5306)	400 Cycles		
Hydrostatic Resistance (lbs. / inch ²) (FS-191-5512)	At least 600 PSI		



GO STRONG ALL YEAR LONG

www.strongman.com

(800) 950-6999



MEMBER ACDI, SAIA, STAFDA, IFAI

STRONG MAN® SAFETY PRODUCTS CORP.

240 W Parkway Pompton Plains, NJ 07444
1610 Greens Road, Ste 400 Houston, TX 77032

© 2015 Strong Man Safety Products Corp.