

Strong Man Demo Tarp

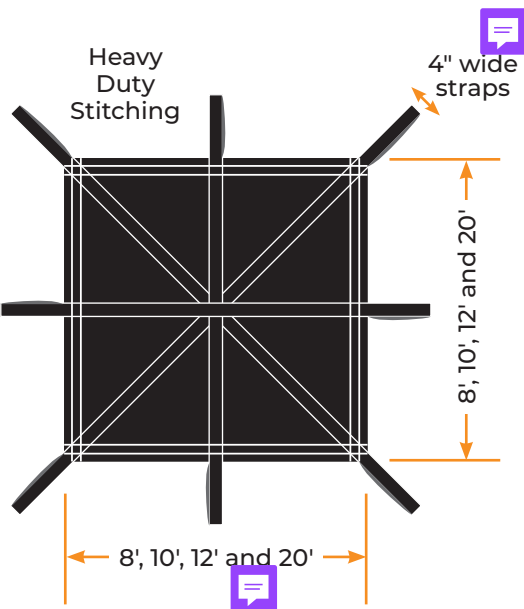
Heavy-Duty Debris Removal

The Strong Man Demo Tarp revolutionizes debris removal on construction sites. Instead of the old method of manually hauling debris, contractors can simply spread the tarp, load it with waste, and lift it out with a crane.

By using the Demo Tarp, a crew can finish debris removal in a fraction of the time, allowing them to focus on the next phase of the project. With its durable construction and smart design, it's an essential tool that not only enhances safety but also significantly boosts productivity—saving hundreds of man-hours.

It's this kind of innovative thinking that turns a common headache into a manageable task.

Strong Man products truly deliver practical solutions that make a difference!



Four Square Tarp Sizes

8' x 8'

10' x 10'

12' x 12'

20' x 20'

Strong Man Safety Products
240 West Parkway
Pompton Plains, NJ 07444



Features

- 16 oz Polypropylene, Dual Layer
- Stock color: Black
- Webbing color: Black
- Non-Fire Retardant
- Manufactured with heavy-duty 2" webbing (4) double-stitched in a crisscross pattern for maximum strength and ease of movement
- Tarp is equipped with eight 8" lifting hoops for easy lifting capability
- Reinforced hem with "lock-stitch sewing" around the perimeter
- UV-resistant thread
- Rip-resistant fabric
- Made in the USA

Uses

- Jobsite debris removal
- Easy to use and efficient
- Durable and long lasting
- Keep your jobsite on schedule and on budget by eliminating wasted man hours and labor.

Strong Man Demo Tarp

Test Results

Breaking Strength and Elongation of Textile Fabrics (Lift Test)		
Tarp Lifting Capacity Maximum	4,000 lbs Initial Lift of 2,000 lbs with additional lifts in 500 lb increments to an end point of 4,000 lbs.	
Lift Cycle Test	200 lifts at 4,000 lbs	
Tensile Strength of Webbing ASTM D5034-09	Specimen	Tensile Strength (lbf)
	1	2393
	2	1758
	3	2433
	4	1647
	5	2301
	Average	2106

Fabric Specifications

Property	Test Method	Value
Construction		54 × 48
Weave		3/4 Basket
Weight	ASTM D5261	8.0
Tensile - Warp	ASTM D4632/D5034	530
Tensile - Fill	ASTM D4632/D5034	420
Trap Tear - Warp	ASTM D4533/D5587	205
Trap Tear - Fill	ASTM D4533/D5587	175
Burst	ASTM D3786	760
Puncture	ASTM D4833	200
Thickness	ASTM D1777	21
Light Penetration	ASTM D6567	10

- Never use a damaged, torn or ripped tarp.
- For use with general job-site debris; do no overload or puncture.
- Webbing must always face down when being used
- Never stand under tarp that is in use and never maneuver/move tarp over jobsite personnel or buildings that may contain jobsite personnel.



strongman.com | 800.950.6999 | sales@strongman.com