

OSHA Compliant Warning Line Device

PERIMETER DEFENDER™



Uses:

Roof tops
Construction sites
Manufacturing facilities

Crowd control
Parking lots
Office buildings

Features:

- 39" OSHA compliant tie off height 1926.502(f)(2)(ii)
- Stackable with or without base
- Easy flag tie-off system
- Quick set-up and removal
- Easy assembly - avoid back strain
- Safety orange, UV resistant
- Non conductive
- High impact polyethylene
- Skid resistant - will not leave rust marks on roofs
- Rubber base will not damage surfaces
- Large grip handle for ease of transporting and handling
- Base made of 100 percent recycled tire rubber



(920) 235-4513

www.lakesideplastics.net

450 W. 33rd Ave | Oshkosh | WI 54902
info@lakesideplastics.net

TECHNICAL INFORMATION

DO NOT DISCARD THESE INSTRUCTIONS! READ & UNDERSTAND BEFORE USING THIS EQUIPMENT!

This manual should be read and understood and made part of a training program as required by OSHA and other applicable regulatory agencies.

These instructions, and others included, are to be provided to users of the equipment. The user must understand the proper use and limitations of this equipment.

This equipment, when properly used, may be used to meet OSHA standards for fall protection. Copies of these instructions should be kept at the job site.

Training Requirements

Employers shall provide training for employees who use this equipment. The program shall enable employees to recognize the hazards of falling and train employees in the procedures to follow in order to minimize the hazards. All relevant Federal, State and Local regulatory requirements shall also be included in this training.

The employer shall ensure that all employees have been trained by a competent and qualified person in the use of this product and warning line systems. The warning line system shall be installed, used, and removed under the supervision of a competent person. Consult your local OSHA office, OSHA website, a consultant of your company to determine qualifications for a competent person.

General System Criteria

Selection of fall protection equipment and systems shall be made by a qualified and competent person.

This equipment is designed for use as part of a personal fall protection system. Components shall not be used for any operation other than that for which they were designed. All fall protection equipment shall be purchased new and unused.

Fall Arrest and Restraint Systems shall be designed and installed by a qualified person to comply with OSHA and other regulatory requirements and limitations. Systems must be used in a compliant manner under the supervision of a competent person.

- **DO NOT** alter or misuse this equipment.
- **DO NOT** use combinations of components or systems that may interfere with the safe function of each other.
- **DO NOT** expose equipment to chemicals or conditions that may harm or degrade the equipment and its function. Consult manufacturer if in doubt.
- **DO NOT** use equipment around moving machinery or electrical hazards, unless it has been specifically designed for such applications.
- **DO NOT** use equipment around sharp or abrasive surfaces which may cause damage or interfere with safe use.

General Use

- Each component and system shall be used and maintained according to the manufacturer's specifications.

The manufacturer's instructions shall be available at the job site for review and consultation.

- Inspect each component and system to ensure they are in good condition and functioning properly.
- If a component or system is suspected defective, it shall be removed from service

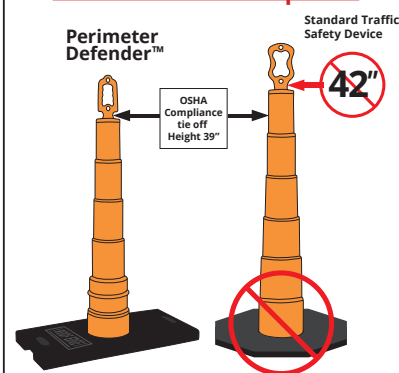
Product Description

A two-piece, stackable stanchion designed to be used as part of a Warning Line System to meet the requirements of OSHA 1926.502(f).

Product Use Information

- The Stackable Stanchion is to be used in accordance with OSHA 1926.502(f) to warn of leading edge hazards;
- The rope, wire, or chain shall be flagged at not more than 6-foot (1.8 m) intervals with high-visibility material;
- When mechanical equipment is not being used, the warning line shall be erected not less than 6 feet (1.8 m) from the roof edge;
- When mechanical equipment is being used, the warning line shall be erected not less than 6 feet (1.8 m) from the roof edge which is parallel to the direction of mechanical equipment operation, and not less than 10 feet (3.1 m) from the roof edge which is perpendicular to the direction of mechanical equipment operation.
- The rope, wire, or chain shall be rigged and supported in such a way that its lowest point (including sag) is no less than 34 inches (.9 m) from the walking/ working surface and its highest point is no more than 39 inches (1.0 m) from the walking/working surface; (wrap warning line around the base of the handle, do not pass warning line through handle);
- Spacing between Stanchions shall be such that the 34-39 inch, (0.9- 1.0 m), warning line height a requirement is maintained. Spacing may vary depending on the type of warning line used.
- Stanchion base shall be oriented such that the narrow edge is nearest the leading edge.

Standard traffic safety devices are not OSHA compliant!



Know the difference!
Get Lakeside Plastics Perimeter Defender™
and get OSHA compliant.



(920) 235-4513

www.lakesideplastics.net

450 W. 33rd Ave | Oshkosh | WI 54902
info@lakesideplastics.net

OSHA REGULATIONS

Standard Number: 1923.502

Fall protection systems criteria and practices.

1926.502(f)

"Warning line systems." Warning line systems [See 1926.501(b)(10)] and their use shall comply with the following provisions:

1926.502(f)(1)

The warning line shall be erected around all sides of the roof work area.

1926.502(f)(1)(i)

When mechanical equipment is not being used, the warning line shall be erected not less than 6 feet (1.8 m) from the roof edge.

1926.502(f)(1)(ii)

When mechanical equipment is being used, the warning line shall be erected not less than 6 feet (1.8 m) from the roof edge which is parallel to the direction of mechanical equipment operation, and not less than 10 feet (3.1 m) from the roof edge which is perpendicular to the direction of mechanical equipment operation.

1926.502(f)(1)(iii)

Points of access, materials handling areas, storage areas, and hoisting areas shall be connected to the work area by an access path formed by two warning lines.

1926.502(f)(1)(iv)

When the path to a point of access is not in use, a rope, wire, chain, or other barricade, equivalent in strength and height to the warning line, shall be placed across the path at the point where the path intersects the warning line erected around the work area, or the path shall be offset such that a person cannot walk directly into the work area.

1926.502(f)(2)

Fall protection systems criteria and practices. Warning lines shall consist of ropes, wires, or chains, and supporting stanchions erected as follows:

1926.502(f)(2)(i)

The rope, wire, or chain shall be flagged at not more than 6-foot (1.8 m) intervals with highvisibility material;

1926.502(f)(2)(ii)

The rope, wire, or chain shall be rigged and supported in such a way that its lowest point (including sag) is no less than 34 inches (.9m) from the walking/working surface and its highest point is no more than 39 inches (1.0 m) from the walking/working surface;

1926.502(f)(2)(iii)

After being erected, with the rope, wire, or chain attached, stanchions shall be capable of resisting, without tipping over, a force of at least 16 pounds (71 N) applied horizontally against the stanchion, 30 inches (.8 m) above the walking/working surface, perpendicular to the warning line, and in the direction of the floor, roof, or platform edge;

1926.502(f)(2)(iv)

The rope, wire, or chain shall have a minimum tensile strength of 500 pounds (2.22 kN), and after being attached to the stanchions, shall be capable of supporting, without breaking, the loads applied to the stanchions as prescribed in paragraph (f)(2)(iii) of this section; and

1926.502(f)(2)(v)

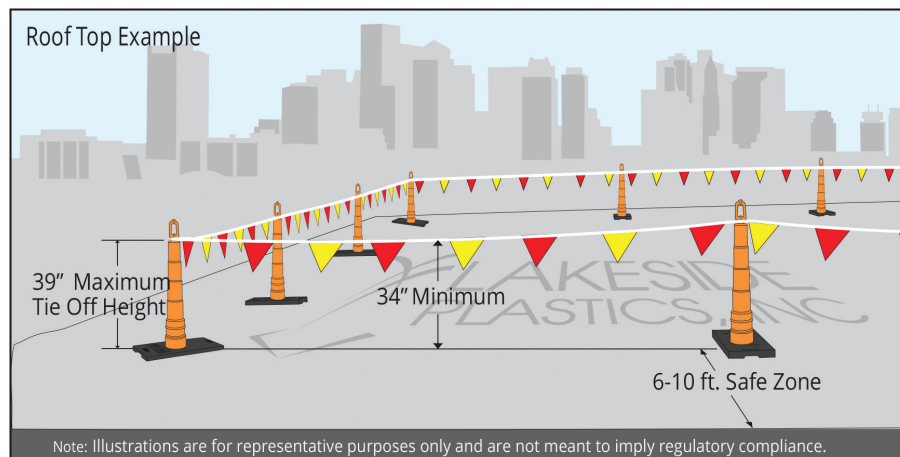
The line shall be attached at each stanchion in such a way that pulling on one section of the line between stanchions will not result in slack being taken up in adjacent sections before the stanchion tips over.

1926.502(f)(3)

No employee shall be allowed in the area between a roof edge and a warning line unless the employee is performing roofing work in that area.

1926.502(f)(4)

Mechanical equipment on roofs shall be used or stored only in areas where employees are protected by a warning line system, guardrail system, or personal fall arrest system.



(920) 235-4513

www.lakesideplastics.net

450 W. 33rd Ave | Oshkosh | WI 54902

info@lakesideplastics.net

TECHNICAL INFORMATION

STANDARDS

OSHA COMPLIANT
ISO 9001




FEATURES AND BENEFITS

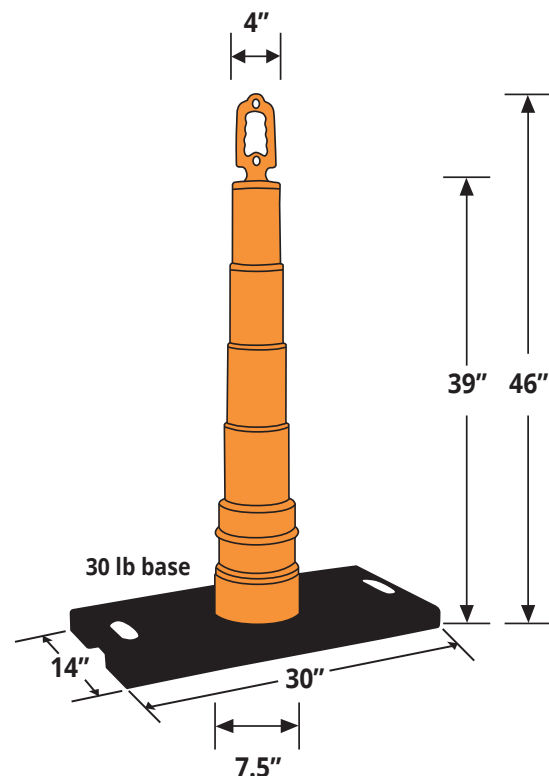
- Two-piece design
- Stackable with or without bases
- Easy-grip handle
- Two mounting holes for warning lights or signs
- Tabs around base of Perimeter Defender™ for "Positive Lockup" with base
- Available with 3M™ reflective sheeting of all styles and widths
- Base made from 100% recycled tire rubber - 30 lb rectangle shape for rooftop

OSHA COMPLIANT WARNING LINE DEVICE

The Perimeter Defender provides an easy to use workplace and rooftop safety system that meets all OSHA requirements, when used correctly.

STOCK SPECIFICATIONS

Details	Data
Material:	High-Impact polyethylene with reinforced loop handle
Height:	46" (1168 mm)
Width:	4" (102 mm) top 7.5 (190 mm) bottom
Stock Colors:	 Ultraviolet stabilizer for fade resistance
Base Weight:	30lbs (13.6 kg)
Base Dimensions:	14" x 30" (356 x 762 mm)



Note: Weights and measurements are approximate. Specifications are subject to change without notice. Please contact Lakeside Plastics for current information.



(920) 235-4513

www.lakesideplastics.net

450 W. 33rd Ave | Oshkosh | WI 54902
info@lakesideplastics.net