



## 023-12154

### 10' to 20' Belmont Safety Hatch System with Flat Brackets

#### FEATURES :

- System mounts directly to ladder for stability
- Ground level operation to open, close and secure hatch
- Safe transitions with built-in extension pole
- Manually operated drive unit with simple crank
- Installs on systems from 10' to 20'
- For use on hatches from 30" square to 36" square
- Assembly required, padlock not included
- Includes all required components and fasteners:
  - (6) Brackets for side mounted installation on flat bar stock (max. 4")
  - (1) Lifting tube extension
  - (2) Intermediate guide brackets
  - (1) Drill bit rivet adapter

#### ITEM WEIGHT :

- 41.0 lbs. (18.6 kg)



USER WEIGHT CAPACITY	
ANSI	N/A
OSHA	N/A

STANDARD COMPLIANT WITH	
ANSI	N/A
OSHA	N/A

RELATED PRODUCTS	
023-12155	20' to 27' Belmont Safety Hatch System with Flat Brackets
023-12156	27' to 34' Belmont Safety Hatch System with Flat Brackets
023-12163	Flat Backing Plate Set, Belmont Safety Hatch

COMPONENT	MATERIAL SPECIFICATION
System	Powder coated steel
Fasteners	Zinc plated steel



## 023-12155

### 20' to 27' Belmont Safety Hatch System with Flat Brackets

#### FEATURES :

- System mounts directly to ladder for stability
- Ground level operation to open, close and secure hatch
- Safe transitions with built-in extension pole
- Manually operated drive unit with simple crank
- Installs on systems from 20' to 27'
- For use on hatches from 30" square to 36" square
- Assembly required, padlock not included
- Includes all required components and fasteners:
  - (8) Brackets for side mounted installation on flat bar stock (max. 4")
  - (2) Lifting tube extensions
  - (4) Intermediate guide brackets
  - (1) Drill bit rivet adapter

#### ITEM WEIGHT :

- 47.4 lbs. (21.5 kg)



USER WEIGHT CAPACITY	
ANSI	N/A
OSHA	N/A

STANDARD COMPLIANT WITH	
ANSI	N/A
OSHA	N/A

RELATED PRODUCTS	
023-12154	10' to 20' Belmont Safety Hatch System with Flat Brackets
023-12156	27' to 34' Belmont Safety Hatch System with Flat Brackets
023-12163	Flat Backing Plate Set, Belmont Safety Hatch

COMPONENT	MATERIAL SPECIFICATION
System	Powder coated steel
Fasteners	Zinc plated steel



## 023-12156

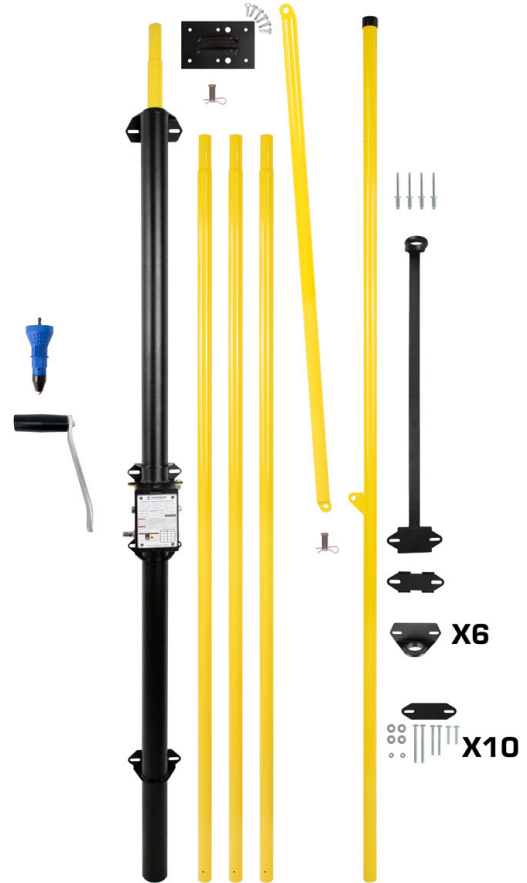
### 27' to 34' Belmont Safety Hatch System with Flat Brackets

#### FEATURES :

- System mounts directly to ladder for stability
- Ground level operation to open, close and secure hatch
- Safe transitions with built-in extension pole
- Manually operated drive unit with simple crank
- Installs on systems from 27' to 34'
- For use on hatches from 30" square to 36" square
- Assembly required, padlock not included
- Includes all required components and fasteners:
  - (10) Brackets for side mounted installation on flat bar stock (max. 4")
  - (3) Lifting tube extensions
  - (6) Intermediate guide brackets
  - (1) Drill bit rivet adapter

#### ITEM WEIGHT :

- 53.7 lbs. (24.4 kg)



USER WEIGHT CAPACITY	
ANSI	N/A
OSHA	N/A

STANDARD COMPLIANT WITH	
ANSI	N/A
OSHA	N/A

RELATED PRODUCTS	
023-12154	10' to 20' Belmont Safety Hatch System with Flat Brackets
023-12155	20' to 27' Belmont Safety Hatch System with Flat Brackets
023-12163	Flat Backing Plate Set, Belmont Safety Hatch

COMPONENT	MATERIAL SPECIFICATION
System	Powder coated steel
Fasteners	Zinc plated steel