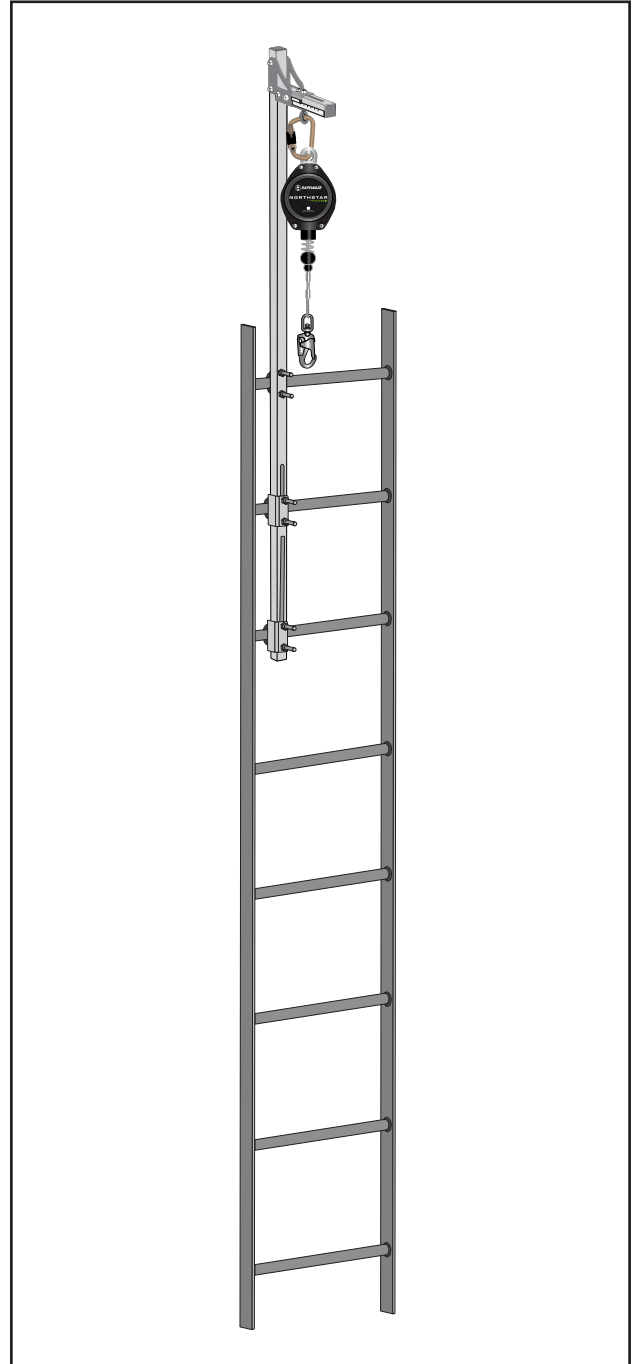
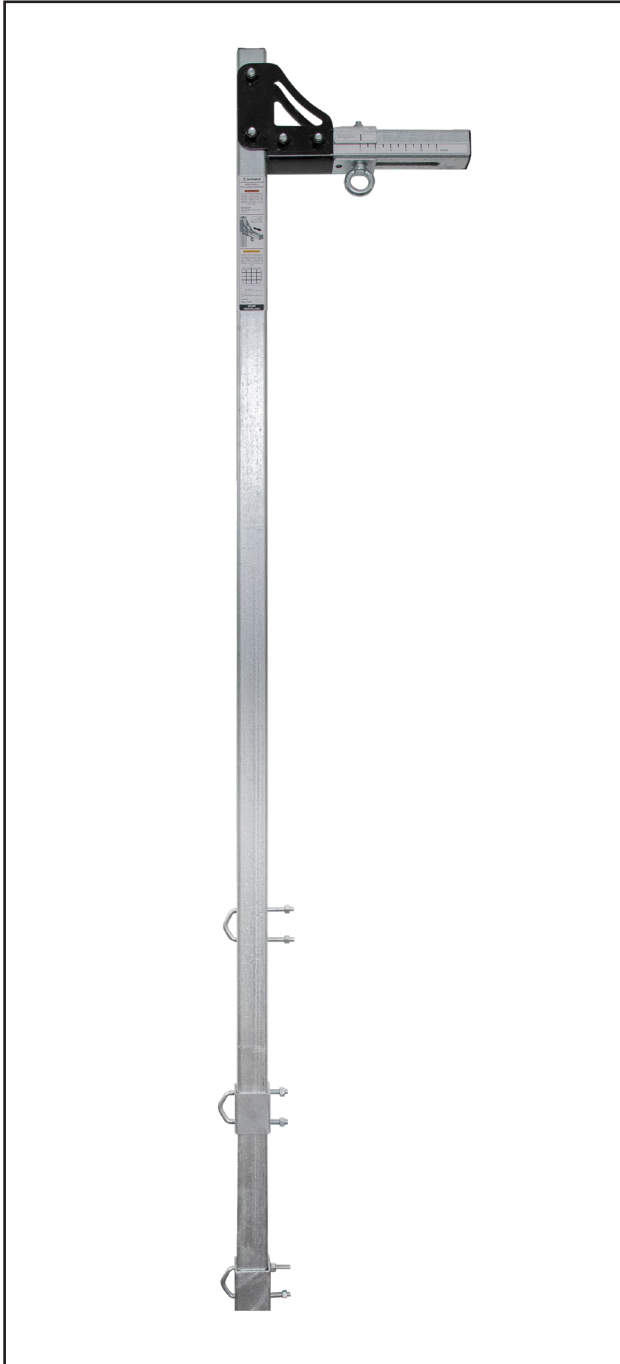


ADJUSTABLE SRL ANCHOR LADDER SYSTEM MANUAL



Compliant with OSHA 1926.502, 1910.140

WARNINGS AND IMPORTANT PRECAUTIONS

User must read, understand, and follow all safety and usage information contained within this manual prior to use of this equipment. Failure to follow all safety and usage information can result in serious injury or death.

These instructions shall be provided to the user. User must read, understand, and follow all safety and usage information contained within this manual prior to use of this equipment. Failure to follow these instructions or improper use can result in serious injury or death.

Intended Use:

The equipment covered in this manual is intended for use as part of a complete Personal Fall Arrest System (PFAS).

Use of this equipment for any other purpose, such as material handling, sports activities, or other action not described in these User Instructions is not approved by Safewaze. Use of this equipment in a manner outside the scope of those covered within this manual can result in serious injury or death.

The equipment covered in this manual is only to be used by trained personnel in workplace applications.



The SRL Anchor Ladder System is part of a complete PFAS. Every user must be trained in the inspection, installation, operation, and proper usage of their complete PFAS. Unapproved or inappropriate use of Safewaze equipment could result in serious injury or death. Refer to these instructions for the proper selection, installation, maintenance, and service of this equipment. For questions regarding use of this equipment beyond the scope of this manual, contact Safewaze.

The warnings below are designed to reduce the risks associated with the use of Safewaze Adjustable SRL Anchor Ladder Systems:

- DO NOT alter this equipment.
- DO NOT attempt to modify the SRL Anchor Ladder System.
- DO NOT use this equipment in any way not described in this manual.
- Exposure of this equipment to chemicals, high heat, severe cold, or other harsh environments may produce a harmful effect. If in doubt of suitable conditions contact Safewaze.
- Avoid use of this equipment around moving machinery and electrical hazards.
- Avoid use of this equipment near sharp and abrasive surfaces.
- Improper use of this equipment, not following instructions or markings, may cause serious injury or death.
- Frequency of periodic inspection by a Competent Person other than the user should be established by the user's organization based upon careful consideration of relevant factors. Such factors include the nature and severity of workplace conditions affecting the equipment and the modes of use and exposure time of the equipment.
- Inspect the SRL Anchor Ladder System prior to each use.
- The SRL Anchor Ladder System must be inspected annually by Competent Person other than the user. These results must be documented.
- Connection of a fall arrest subsystem to the SRL Anchor Ladder System must be made only to the eyebolt.
- If the users fall arrest subsystem is comprised of components from different manufacturers, the competent person must determine that all components are compatible. Ensure that components meet all applicable standards and/or regulations for the work being performed.
- This anchor is designed for Fall Protection/Fall Arrest applications only. DO NOT connect lifting equipment to the anchor.



Users should enact the precautionary measures listed below to reduce the inherent risks of working at height:

- Fall protection equipment that fails inspection must be removed from service and tagged "Unusable." The equipment should then be returned to Safewaze for repair / service (if applicable) or destroyed. For questions regarding service/repair of components, contact Safewaze.
- Never exceed the maximum allowable weight capacity of your fall protection equipment.
- Never exceed the maximum free fall distance of your fall protection equipment.
- Only Safewaze, or entities authorized in writing by Safewaze, may make repairs to Safewaze fall protection equipment.
- User(s) of Safewaze fall protection equipment must ensure that their health and physical condition allows them to withstand all forces and potential risks associated with working at heights. ANSI limits the weight capacity of fall protection equipment to a maximum of 310 lbs. Some equipment covered in this manual may indicate a weight capacity in excess of 310 lbs. Although some equipment may be rated to a higher capacity, it should be noted that heavier users are at an increased risk of serious injury or death. This being due to increased forces on the body during a fall and the risk for accelerated onset of suspension trauma.
- Use of a body belt is NOT authorized for fall arrest applications. Use only a Full Body Harness (FBH).
- Always wear proper Personal Protective Equipment (PPE) when installing, using, or inspecting this equipment.
- If conducting training operations with this equipment, ensure that a secondary fall protection system is installed and utilized in a manner that does not expose the trainee to unintended fall hazards.
- Immediately seek medical attention in the event a worker suffers a fall arrest incident.
- Certain subsystems may interfere with the proper operation of the equipment in this manual. Use only compatible connections. Contact Safewaze for questions regarding compatibility of equipment or components not covered in this manual.
- Avoid objects, equipment, or surfaces that could harm the user or equipment.
- User must ensure that there is adequate fall clearance when working at height.
- Extra precautions must be taken if working in the vicinity of moving machinery, electrical hazards, chemical hazards, sharp edges, explosive or toxic gases, extreme temperatures, or below overhead equipment or materials that could impact the user and their fall protection equipment.
- If work is conducted in a high heat environment, ensure that Arc Flash or other suitable fall protection equipment is utilized.

TABLE OF CONTENTS

1.0	INTRODUCTION	1
2.0	APPLICABLE SAFETY STANDARDS	1
3.0	WORKER CLASSIFICATIONS	1
4.0	LIMITATIONS AND REQUIREMENTS	1
5.0	INSPECTION FREQUENCY	2
6.0	PURPOSE	2
7.0	SPECIFICATIONS	2
8.0	FALL PROTECTION AND RESCUE PLAN	4
9.0	NORMAL OPERATIONS	4
10.0	COMPATIBILITY OF COMPONENTS	4
11.0	COMPATIBILITY OF CONNECTORS.....	4
12.0	INSTALLATION AND USE	5
13.0	MAINTENANCE, SERVICE, AND STORAGE	6
14.0	INSPECTION	7
15.0	LABELING	7
16.0	INSPECTION LOG	8

User Information

Date of First Use: _____

Serial#: _____

Trainer: _____

User: _____

Do not throw away these instructions!
Read and understand these instructions before using equipment!

1.0 INTRODUCTION

Thank you for your purchase of the Safewaze Adjustable SRL Anchor Ladder System. The Adjustable SRL Anchor Ladder System is designed to attach to fixed metal ladders and provides a single point anchorage for a single user's Personal Fall Arrest System (PFAS) while ascending and descending a ladder, and during transition to a passive work zone. The Competent or Qualified Person must determine that the fixed ladder is of sufficient construction to withstand the forces of a fall. The ladder for intended installation must not be mounted with a pitch of greater than 90°. The system is removable and can be reinstalled as needed. The SRL Anchor Ladder System is for a single user up to a maximum weight capacity of:

1 User Maximum (includes clothing, tools, and equipment):

ANSI 130-310 lbs. (59-141 kg)

OSHA Up to 420 lbs. (191 kg)

The SRL Anchor Ladder System is offered in two different height options, 4' and 6', to ensure the anchor can accommodate a variety of ladder structures. The anchor must be attached to the top three ladder rungs. The U-bolts provided with the system will fit a number of rung sizes and dimensions as indicated in Section 7 of this manual.

2.0 APPLICABLE SAFETY STANDARDS

The Safewaze Adjustable SRL Anchor Ladder System conforms to the national standard(s) identified on their ID label. Refer to local, state, and federal (OSHA) requirements for additional information concerning the governing of occupational safety regarding Personal Fall Arrest Systems (PFAS). See Figure 11 for examples of product labeling. Applicable standards and regulations depend on the type of work being done and might also include state-specific regulations. When used according to instructions, this product meets:

TABLE 1 - APPLICABLE STANDARDS AND REGULATIONS

OSHA REGULATIONS

OSHA	1926.502	Fall Protection Systems Criteria and Practices
OSHA	1910.140	Personal Fall Protection Systems

3.0 WORKER CLASSIFICATIONS

Understand the definitions of those who work in proximity of, or may be exposed to, fall hazards or rescues.

Qualified Engineer: "Qualified Engineer" means a person with a bachelor of science degree in engineering from an accredited college or university. They are able to assume personal responsibility for the development and application of engineering science and knowledge in the design, construction, use, and maintenance of their projects.

Qualified Person: "Qualified Person" means one who, by possession of a recognized degree, certificate, or professional standing, or who by extensive knowledge, training, and experience, has successfully demonstrated their ability to solve or resolve problems relating to the subject matter, the work, or the project.

Competent Person: "Competent Person" means one who is capable of identifying existing and predictable hazards in the surroundings or working conditions which are unsanitary, hazardous, or dangerous to employees, and who has authorization to take prompt corrective measures to eliminate them.

Authorized Person: "Authorized Person" means a person approved or assigned by the employer to perform a specific type of duty or duties, or to be at a specific location or locations, at the jobsite.

It is the responsibility of a Qualified or Competent person to supervise the jobsite and ensure safety regulations are complied with.

4.0 LIMITATIONS AND REQUIREMENTS

When installing or using this equipment always refer to the following requirements and limitations:

- Capacity:** Safewaze Adjustable SRL Anchor Ladder Systems are designed for use by a single user with an ANSI compliant Self Retracting Lifeline (SRL). The maximum weight capacity for the SRL Anchor Ladder System is ANSI (130-310 lbs.) and OSHA up to (420 lbs.).
- Anchorage:** Anchorages selected for fall arrest systems shall have a strength capable of sustaining static loads applied in the directions permitted by the system of at least:
 - 5,000 lbs. (2267.9 kg) for non-certified anchorages, or
 - Two times the maximum arresting force for certified anchorages.

When more than one fall arrest system is attached to an anchorage, the strengths set forth in (1) and (2) above shall be multiplied by the number of systems attached to the anchorage.

- Fall Clearance:** Fall Clearance (FC) is the total combined values of Free Fall (FF), Deceleration Distance (DD), and a Safety Factor (SF). Safety Factor calculations may differ by manufacturer, but for the purposes of this manual, the Safety Factor is calculated at 2 ft. The Safety Factor includes D-ring shift and Harness Stretch.

An additional 3 ft. (1 m) of Fall Clearance is required for falls from a kneeling or crouched position. If a Swing Fall hazard exists, the total vertical fall distance will be greater than if the user had fallen directly under the anchor point. This manual provides information regarding Swing Fall hazards and additional Fall Clearance Requirements.

- Ladder Requirements:** The Safewaze Adjustable SRL Anchor Ladder System is not designed, nor intended, to be installed on portable ladders. This system is designed for use on structures that are primarily vertical. The system should never be used on a structure that exceeds a 5° angle from vertical.

- **Full Body Harnesses:** The Dorsal D-ring of a Full Body Harness is the only authorized attachment point for Fall Protection/Fall Arrest applications when using the Safewaze Adjustable SRL Anchor Ladder System.
Note: Never use combinations of components or subsystems that may affect, or interfere with, the safe function of each other.
- **Personal Fall Arrest:** The Safewaze Adjustable SRL Anchor Ladder System can be used as part of a complete Personal Fall Arrest System (PFAS) for a maximum of up to 1 user. The structure utilized for attachment must be capable of withstanding a load of 5,000 lbs. in all directions permitted by the system.

5.0 INSPECTION FREQUENCY

The user or Authorized Person must inspect this equipment prior to each use. Jobsite conditions should be used to determine proper inspection frequency. Figure 1 indicates key inspection points of the Safewaze Adjustable SRL Anchor Ladder System. The Safewaze Adjustable SRL Anchor Ladder System must also be inspected annually at a minimum, by a Competent Person other than the user. These inspections must be documented in the Inspection Log located at the back of this manual.

6.0 PURPOSE

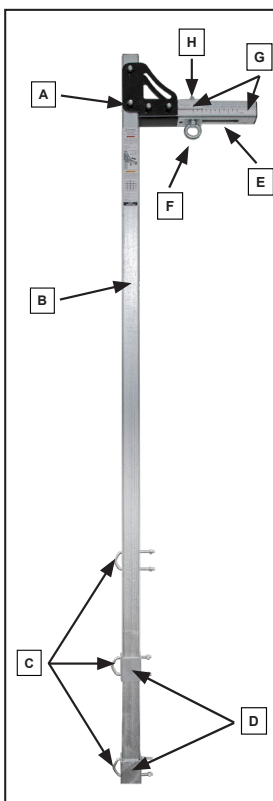
Safewaze Adjustable SRL Anchor Ladder Systems are used as part of a complete PFAS for fixed ladder climbing operations. Safewaze anchorage connectors are designed to provide anchorage connection points for Fall Arrest, Fall Restraint, Work Positioning, or Rescue Systems.



IMPORTANT: The Safewaze SRL Anchor Ladder System is to be used for connection of Fall Protection Equipment only. Do not connect any type of hoisting or lifting equipment to the system. If used for any type of hoisting or lifting operations, the system may no longer be used for Fall Protection.

7.0 SPECIFICATIONS

FIGURE 1 - SRL ANCHOR LADDER SYSTEM COMPONENTS



	Component	Material(s)
A	Head Unit	Powder Coated Stainless Steel
B	Base Post	Galvanized Steel
C	U-Bolts/Nuts/Washers	Zinc Plated Steel
D	Backer Brackets	Galvanized Steel
E	Anchor Post	Galvanized
F	Captive Eye	Zinc Plated Steel
G	Labeling	N/A
H	Adjuster Bracket	Galvanized Steel

Rung Spacing and Diameter Compatibility:	
Spacing	9" - 12.25" (200mm - 310mm)
Cylindrical Rung	0.5" - 1.6" (13mm-40mm) diameter
Square Rung	0.5" - 1.6" (13mm-40mm) diameter
Diamond Rung	0.5" - 1.6" (13mm-40mm) height
Angle Iron	0.5" - 1.6" (13mm-40mm) leg height
Rectangular Rung	0.5" - 1.6" (13mm-40mm) height 0.5" - 1.9" (13mm-48mm) width

Lettered Boxes: While indicating specific components of the SRL Anchor Ladder System, the lettered boxes also indicate key components when conducting Pre-Use, Annual, or other inspections.

System Part Numbers		Replacement Part Numbers	
022-12146	4 ft. (1.2 m) / 41.0 lbs. (18.6 kg) / MBS 3,600 lbs. (1632.9 kg.)	022-12152	SRL Anchor Ladder Backer Bracket
022-12147	6 ft. (1.8 m) / 48.6 lbs. (22.0 kg) / MBS 3,600 lbs. (1632.9 kg.)	022-12153	Extended U-Bolt
		019-12029	3/8" Nylock Hex Nut

The following limitations must be considered prior to installing the Safewaze Adjustable SRL Anchor Ladder System:

1. **Structure:** The structure to which the system is attached must be capable of withstanding the loads applied by the system in the event of a fall.
2. **System Capacity:** The maximum number of users allowed on the Adjustable SRL Anchor Ladder System is one, with a maximum weight of **OSHA Up to 420 lbs. (190.51 kg).**
3. **Environmental Hazards:** Use of the Safewaze Adjustable SRL Anchor Ladder System in areas where environmental hazards exist may require additional precautions. These hazards may consist of but are not limited to: Electrical, Chemical, Thermal, Seawater, Corrosive Agents, Explosive Gasses, Toxic Gasses, Moving Machinery, and Sharp Edges.

Structure Load Requirements

Static Loading: The static loads imposed on the system include the weight of the Adjustable SRL Anchor Ladder System.

(Part# 022-12146) = **41 lbs. (18.6 kg)**

Total Static Loading: 41 lbs. x 1.2 (Safety Factor) = 49.2 lbs. (21.3 kg)

Installation of the Adjustable SRL Anchor Ladder System must be supervised by a Qualified Person.

Adjustable SRL Anchor Ladder System Connection Requirements: The Adjustable SRL Anchor Ladder System is used as the anchorage component of a PFAS to protect the user in the event of a fall. PFAS must use a self-retracting lifeline that limits the maximum arrest force to 1,800 lbs. per applicable OSHA regulations. The Adjustable SRL Anchor Ladder System must be attached to a minimum of three rungs of a fixed ladder. Each rung must be 1/2" to 1-1/4" diameter, with a minimum breaking strength of 1,200 lbs. The structure to which the fixed ladder is attached to, and the connections between the fixed ladder and structure, must be able to withstand a load of 3,600 lbs in all directions permitted by the system. The ladder must not have a pitch greater than 90 degrees from horizontal. If the ladder pitch is greater than 90 degrees, the system may not be used. When installed in a transition area from ladder to a platform, roof top, etc., the system must extend above the platform high enough for the snap hook of the SRL to be 5' above the platform. This is to ensure overhead tie-off is maintained when standing on the platform. No free fall is permitted with the Adjustable SRL Anchor Ladder System.

FIGURE 2 - 022-12146 / 4' SRL ANCHOR LADDER SYSTEM DIMENSIONS

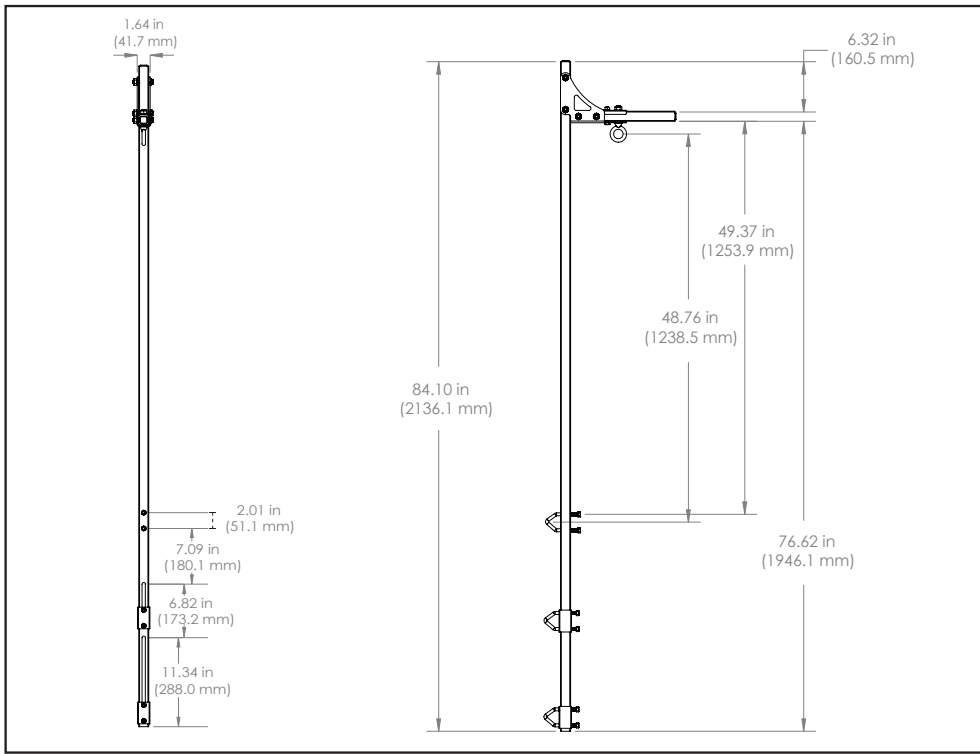
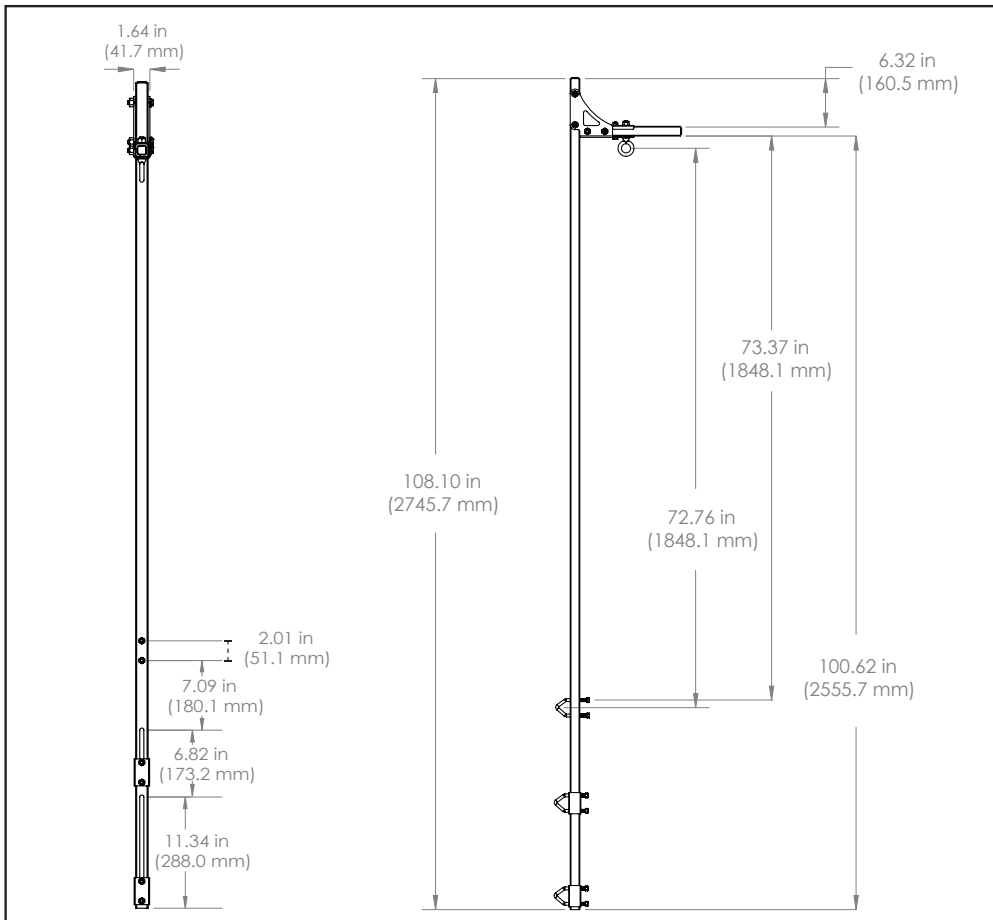


FIGURE 3 - 022-12147 / 6' SRL ANCHOR LADDER SYSTEM DIMENSIONS



8.0 FALL PROTECTION AND RESCUE PLAN

When using this equipment, employers must create and maintain a Fall Protection and Rescue Plan and provide the means to implement those plans. The plans must be communicated to equipment users, authorized persons, and rescuers. These plans must meet ANSI Z359.2 "Minimum Requirements for a Comprehensive Managed Fall Protection Program." They should include the requirements and guidelines for the employer's managed Fall Protection Program. This would include eliminating and controlling fall hazards, duties and training, policies, fall protection procedures, rescue procedures, incident investigations, and evaluation of the program's effectiveness.

9.0 NORMAL OPERATIONS

When used with an ANSI compliant SRL, the system allows the user to move freely up and down the fixed ladder while providing protection in the event of a fall. Connectors used with the SRL Anchor Ladder System must meet the requirements of ANSI Z359.12.

10.0 COMPATIBILITY OF COMPONENTS

Unless otherwise noted, Safewaze equipment is designed for, and tested with, associated Safewaze components or systems.



IMPORTANT: If substitutions or replacements are made to the system, ensure all components meet the applicable ANSI requirements. Read and follow manufacturer's instructions for all components and subsystems in your personal fall arrest system. Not following this guidance may jeopardize compatibility of equipment, and possibly affect the safety and reliability of the overall system.

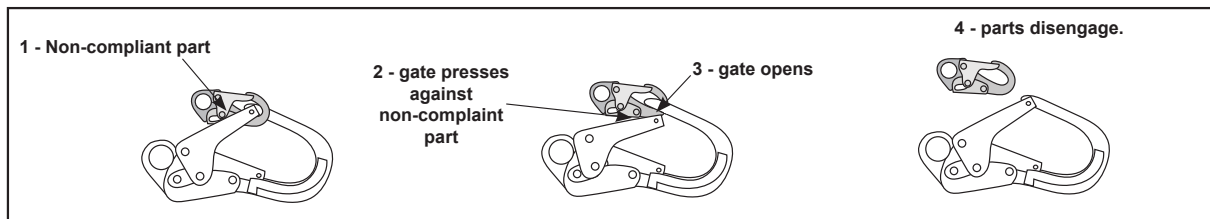
11.0 COMPATIBILITY OF CONNECTORS

Connectors are compatible with connecting elements when they have been designed to work together in such a way that their sizes and shapes do not cause their gate mechanisms to inadvertently open, regardless of how they become oriented. Connectors (hooks, carabiners, and D-rings) must be capable of supporting at least 5,000 lbs. (2267.9 kg). Connectors must be compatible with the anchorage or other system components (Figure 4). Do not use equipment that is not compatible. Non-compatible connectors may unintentionally disengage. Connectors must be compatible in size, shape, and strength. Self-locking snap hooks and carabiners are required by ANSI Z359 and OSHA guidelines. Contact Safewaze if you have any questions about compatibility.



NOTE: Some specialty connectors have additional requirements. Contact Safewaze with questions.

FIGURE 4 - UNINTENTIONAL DISENGAGEMENT



Using a connector that is undersized or irregular in shape (1) to connect a snap hook or carabiner could allow the connector to force open the gate of the snap hook or carabiner. When force is applied, the gate of the hook or carabiner presses against the non-compliant part (2) and forces open the gate (3). This allows the snap hook or carabiner to disengage (4) from the connection point.

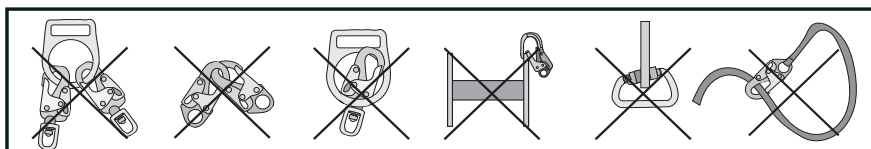
11.1 MAKING CONNECTIONS

Snap hooks and carabiners used with this equipment must be double locking. Ensure all connections are compatible in size, shape, and strength. Do not use equipment that is not compatible. Ensure all connectors are fully closed and locked.

Safewaze connectors (snap hooks and carabiners) are designed to be used only as specified in each product's user's instructions. See Figure 5 for examples of inappropriate connections. Do not connect snap hooks and carabiners:

- To a D-ring to which another connector is attached.
- In a manner that would result in a load on the gate (with the exception of Tie-Back hooks). NOTE: Large snap hooks must not be connected to objects which will result in a load on the gate if the hook twists or rotates, unless the snap hook complies with ANSI Z359.12 and is equipped with a 3,600 lbs. (1632.9 kg) gate. Check the marking on your snap hook to verify its compatibility.
- In a false engagement, where features that protrude from the snap hook or carabiner catch on the anchor, and without visual confirmation seems to be fully engaged to the anchor point.
- To each other.
- By wrapping the lifeline around an anchor and securing to lifeline except as allowed for Tie-Back models
- To any object which is shaped or sized in a way that the snap hook or carabiner will not close and lock, or that roll-out could occur.
- In a manner that does not allow the connector to align properly while under load.

FIGURE 5 - INAPPROPRIATE CONNECTIONS



12.0 INSTALLATION AND USE

Damaged or deteriorated components must be immediately removed from service in accordance with the requirements of OSHA 1926.502. Inspect all components of the system prior to beginning installation to ensure no damage occurred during shipping. In the event any damage is discovered during the pre-installation inspection, contact Safewaze for replacement guidance.

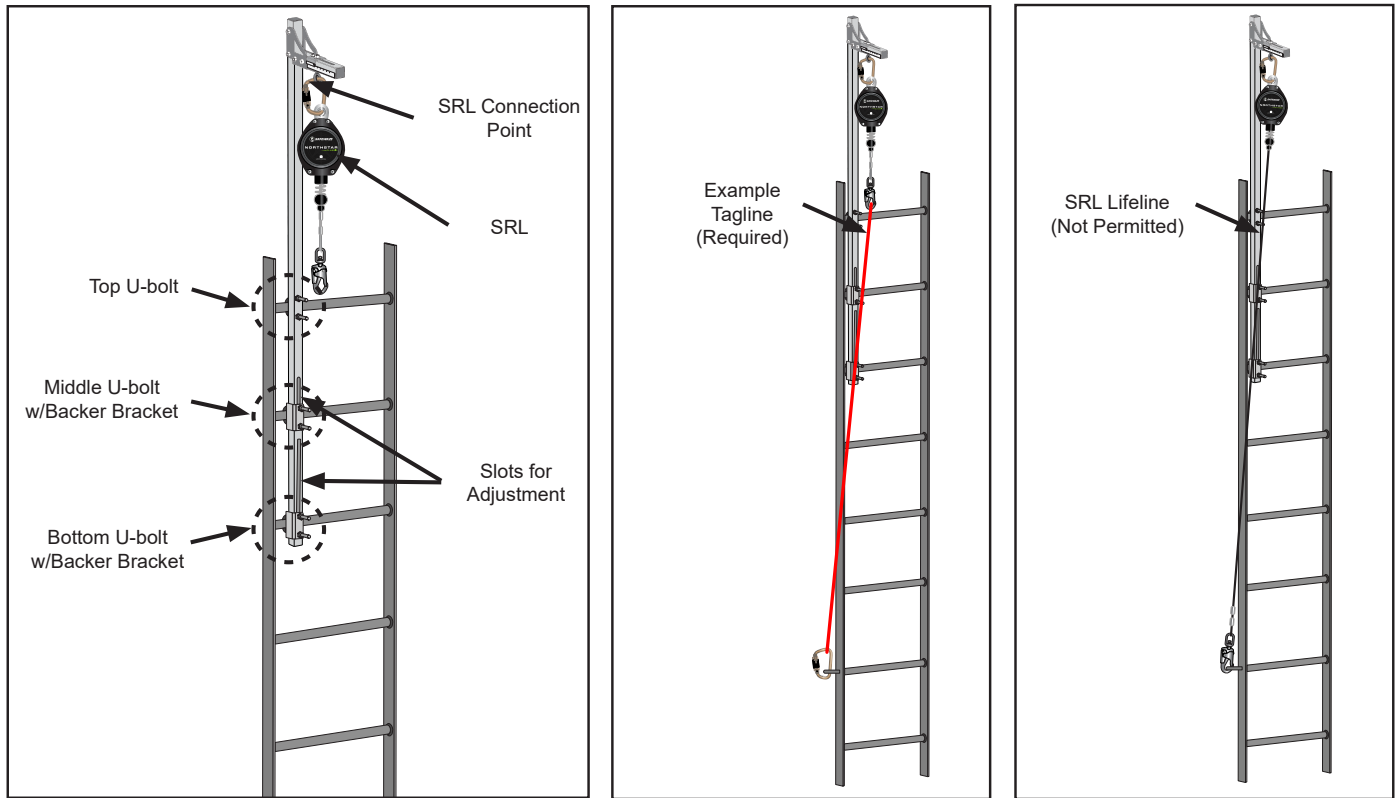
Prior to installation of the Adjustable SRL Anchor Ladder System, a Qualified Person should determine that the structure is capable of meeting the load requirements of the system. Ensure that the system is positioned to allow users safe access when connecting or disconnecting from the system. As a general rule, the system is centered on the climbing structure to allow for ease of climbing. However, the system may be installed towards either side of the ladder rungs if necessary.

The Safewaze Adjustable SRL Anchor Ladder System is designed for easy installation onto a variety of suitable structures.

Installation Steps:

- Step 1:** Line up the pre-drilled holes on the post with the top rung of the climbing structure. Slide the U-bolt over the back of the rung and through the two pre-drilled holes in the post. Thread nuts onto the U-Bolts and torque to 20-25 ft. lbs. The post includes pre-cut slots for adjustment to align the middle and lower U-bolts with their corresponding rungs. Position the middle and lower U-bolts on the rungs, install the nuts onto the U-bolts, and torque to 20-25 ft. lbs. (Figure 6).
- Step 2:** Connect an SRL to the SRL Anchor Ladder System. If intention is to leave the SRL in place for an extended time period, it is required to use a "tagline" rather than leaving the lifeline extended outside the housing. Leaving the lifeline extended places unnecessary wear on the internal components of the SRL and leaves the lifeline prone to unnecessary corrosion (Figure 6).

FIGURE 6 - SRL ANCHOR LADDER SYSTEM INSTALLATION



The Adjustable SRL Anchor Ladder System can be installed to either the "front" of the ladder rungs, or to the "back" of the rungs (Figure 7). The system must always be installed to the top three rungs of a fixed ladder. The system should be located in the middle of the fixed ladder but may be positioned left or right of center if necessary (Figure 8).

FIGURE 7 - FRONT/BACK OF RUNG INSTALLATION

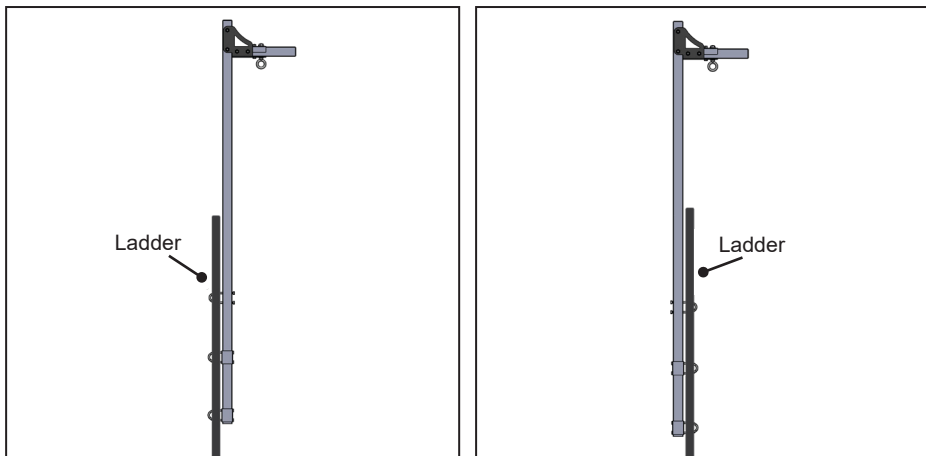


FIGURE 8 - SYSTEM LOCATION ON RUNGS

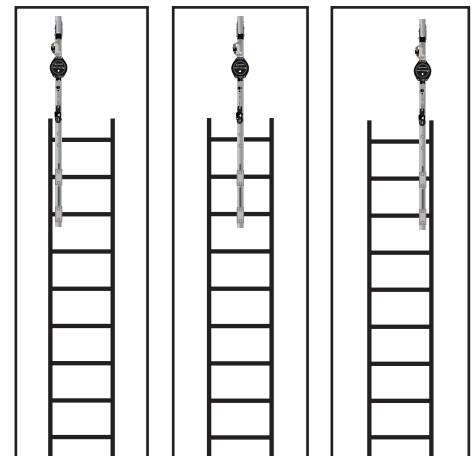


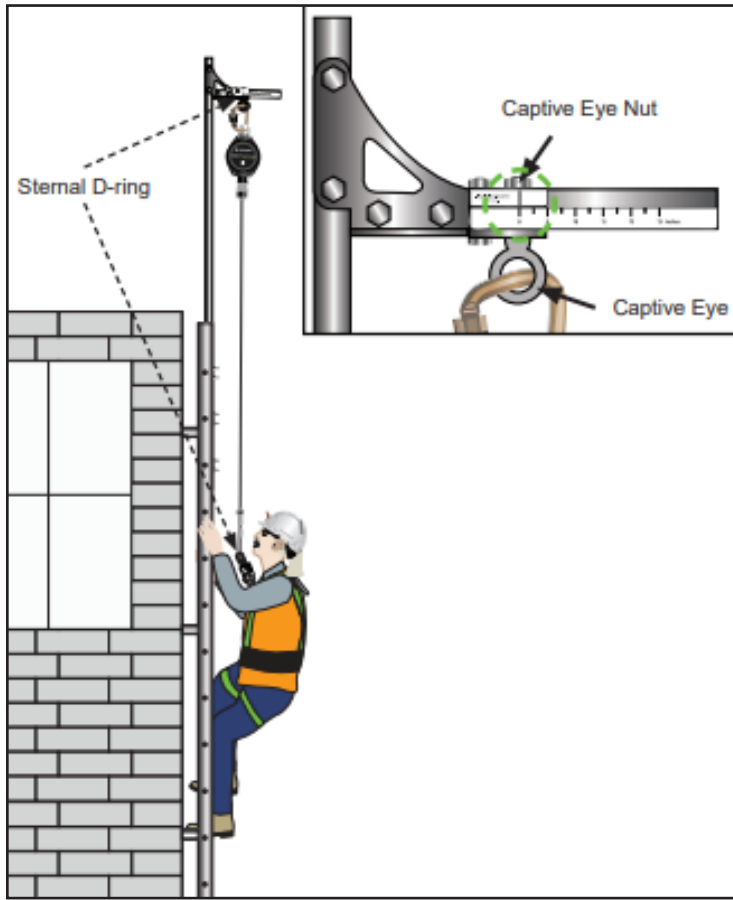
Figure 9 illustrates typical Adjustable SRL Anchor Ladder System connections when used as part of a complete Personal Fall Arrest System (PFAS). When using a snap hook to make a connection, ensure roll-out cannot occur (Figure 4). Do not use snap hooks or carabiners that will not completely close over the anchor point.

The position of the captive eye can be adjusted based upon the type of FBH the user is wearing. For connection to the Sternal/Front D-ring of a FBH, adjust the captive eye to the 8" position (Figure 9). For connection to the Dorsal D-ring of a FBH, adjust the captive eye to the 13" position (Figure 9). To change the position of the captive eye, loosen the captive eye nut and slide the captive eye out to the required location (Figure 9). Torque the captive eye nut to 10-15 ft. lbs.

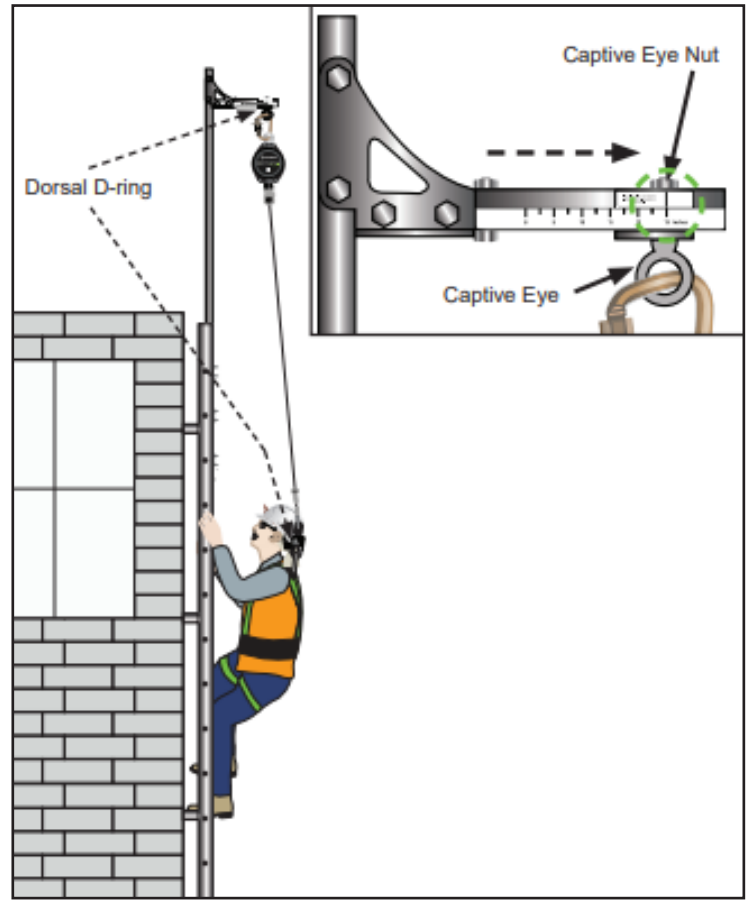
Note: The 8" and 13" positions for the captive eye are measured from the back of the base post to the center of the captive eye.

FIGURE 9 - CAPTIVE EYE POSITIONING

STERNAL/FRONT D-RING CONNECTION



DORSAL D-RING CONNECTION



13.0 MAINTENANCE, SERVICE, AND STORAGE

13.1 MAINTENANCE

Any Safewaze Adjustable SRL Anchor Ladder System requiring maintenance must be tagged "unusable" and removed from service. Cleaning maintenance may be performed by the user. Clean with warm soapy water. Dry the assembly with a clean dry cloth after cleaning. Do not use forced air heat to dry. Do not use corrosive or caustic chemicals that could damage anchor.



WARNING: Avoid exposure of Safewaze Adjustable SRL Anchor Ladder Systems to chemicals, high heat, severe cold, or other harsh environments which may produce a harmful effect. If in doubt, contact Safewaze (800) 230-0319.

13.2 SERVICE

Repairs to the product may only be made by the manufacturer or entities authorized in writing by the manufacturer. Remove the equipment from use if subjected to fall arrest forces. If unreparable the system must be replaced. For questions regarding disposal, service, or repair of Safewaze Adjustable SRL Anchor Ladder System, contact Safewaze at (800) 230-0319.

13.3 STORAGE

When not installed, the Safewaze Adjustable SRL Anchor Ladder System should be stored in a cool, dry place out of direct sunlight. Do not store in areas where damage from environmental factors such as heat, light, excessive moisture, oil, chemicals and their vapors, or other degrading elements may be present. Do not store damaged equipment or equipment in need of maintenance in the same area as product approved for use. Equipment that has been stored for an extended period must be inspected as described in these User Instructions prior to use.

14.0 INSPECTION

14.1 PRIOR TO EACH USE

The Authorized Person must inspect this equipment prior to each use. Additional inspections by a Competent Person other than the user can vary in frequency dependent upon severity of use, and/or workplace conditions, but must be performed and documented at an annual frequency.

Inspection must include, but is not strictly limited to:

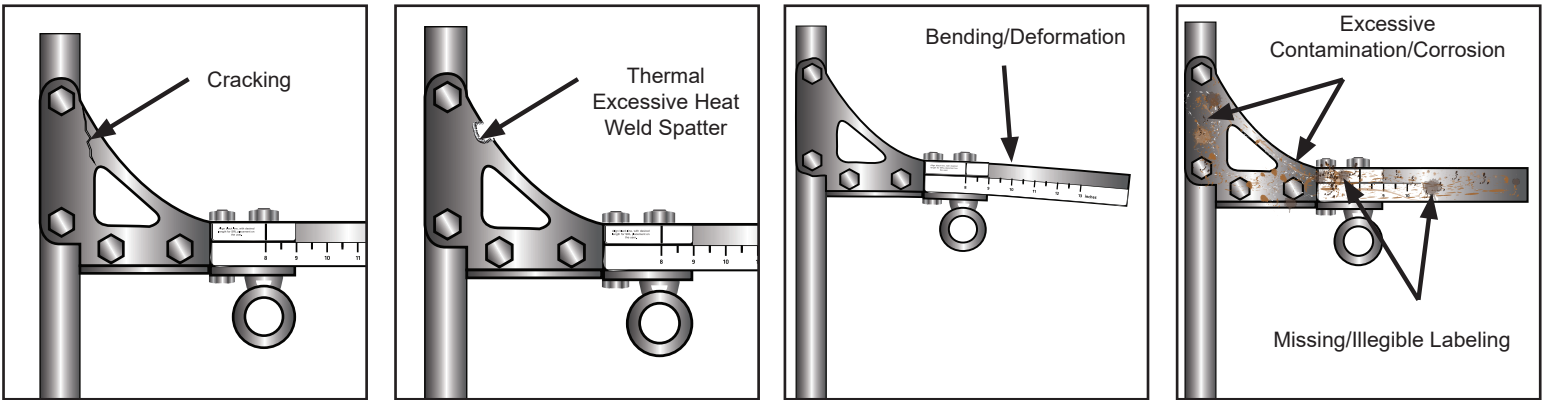
- Legibility of markings, tags, or labeling (Examples of product labeling indicated in Figure 11).
- Absence of any components of system affecting form, fit or function.
- Defects or damage to hardware elements including cracking, sharp edges, deformation, corrosion, chemical attack, excessive heating, alteration, and excessive wear.
- Alteration of any parts or evidence of defects in, damage to, or improper function of mechanical devices and connectors.
- Any condition that calls to question the suitability of the equipment for its intended purpose.

See Figure 1 for key inspection points of the Safewaze Adjustable SRL Anchor Ladder System.

14.2 UNSAFE OR DEFECTIVE CONDITIONS

Figure 10 shows examples of potential damage to the Adjustable SRL Anchor Ladder System. Equipment inspectors must be trained to look for damage as illustrated in Figure 10, as well as other damage that may occur. If inspection reveals an unsafe or defective condition, remove the anchor from service.

FIGURE 10 - EXAMPLES OF EQUIPMENT DAMAGE



14.3 PRODUCT LIFE

The working life of Safewaze Adjustable SRL Anchor Ladder System is determined by work conditions, care, maintenance, and proper inspections. As long as the anchor passes inspection, it may remain in service.

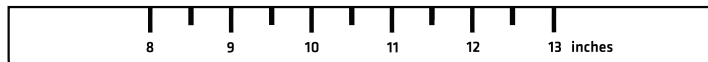
14.4 DISPOSAL

Dispose of the Safewaze Adjustable SRL Anchor Ladder System if it has been damaged by fall arrest forces or inspection reveals an unsafe or defective condition that cannot be repaired by an authorized Safewaze Service Center. Before disposal, disassemble the anchor to prevent accidental use. For questions regarding disposal, service, or repair of Safewaze Adjustable SRL Anchor Ladder System, contact Safewaze at (800) 230-0319.

15.0 LABELING

FIGURE 11 - LABELING

Align black line, with desired length for SRL placement on the user.



DO NOT REMOVE LABEL

Serial #: XXXXXX
Date of MFG: XXXXXX

022-12147
022-12148
414-Adjustable SRL Ladder/Anchor
022-12147
022-12148
414-Adjustable SRL Ladder/Anchor

Initial	Date	Initial	Date

INSPECTION LOG

INSPECTION

Equipment must be inspected prior to each use and at least annually by a Competent Person other than the user. If the equipment is found to be in an unsafe condition or equipment is exposed to Fall Arrest forces, the equipment must be removed from service.

loosen and slide adjuster, to desired length, tighten back before placing on ladder.

SAFEMARK

ADJUSTABLE SRL LADDER ANCHOR

WARNING

User must read and understand all instructions provided with this equipment at time of delivery. This equipment is designed for a single user only. Failure to read and understand instructions for this equipment could result in serious injury or death.

SPECIFICATIONS:
OSHA 1926.502, 1910.146
ANSI Z535.1-2011, 1910.146
ANSI Z535.1-2011, 1910.146
OSHA 1926.502, 1910.146

INSPECTION LOG



SAFEWAZE

INSPECTION LOG

ANNUAL FORM

Inspection Date:	Inspector:	Pass/Fail: 	Comments/ Corrective Action:



SAFEWAZE

**Safewaze
225 Wilshire Ave SW
Concord, NC 28025**

**PHONE: 1-800-230-0319
FAX: 1-704-262-9051**

**WEB: Safewaze.com
EMAIL: info@Safewaze.com**